

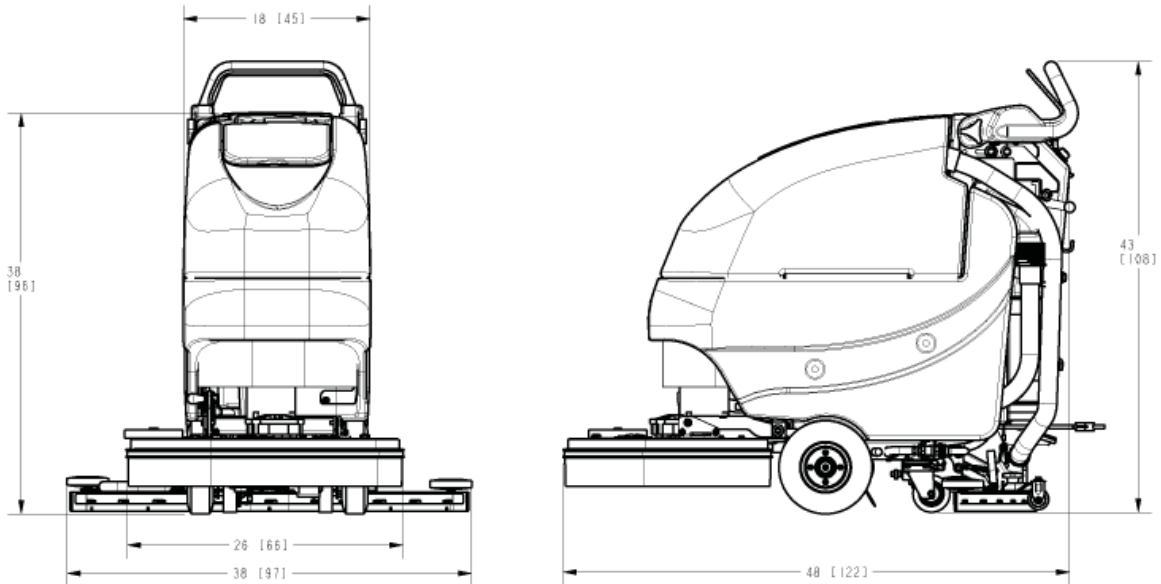


**Parts Manual**  
E26 ECO Sport Floor Scrubber  
Traction Drive Disc

**Model**                    *26ECO Sport Traction Drive Disc*

**Model No.**            E26ECOS / E26ECOSQP / E26ECOSQPG / E26ECOSQPT

<b>Current (Max)</b>	40 amps
<b>Battery Capacity (Lead Acid)</b>	140Ah @20 hr
<b>Battery Capacity (AGM)</b>	100Ah @20 hr
<b>Sound Level</b>	69 dBA
<b>Cleaning path width</b>	26 in (65 cm)
<b>Squeegee width</b>	38 in (95 cm)
<b>Productivity</b>	30,810 ft <sup>2</sup> /hr (2830 m <sup>2</sup> /hr)
<b>Working Speed</b>	2.7 mph (4.3 km per hr)
<b>Transport Speed</b>	2.7 mph (4.3 km per hr)
<b>Rated voltage</b>	24 volts
<b>Vacuum flow</b>	65 cfm (110 m <sup>3</sup> /hr)
<b>Vacuum waterlift</b>	45 inches ( 112mbar)
<b>Vacuum power</b>	.60 HP (450 W)
<b>Brush type</b>	Disc
<b>Brush motor(s) power</b>	3/4 HP (550W)
<b>Number of brushes</b>	2
<b>Brush RPM</b>	180 RPM
<b>Solution capacity</b>	12Gal (45 liters)
<b>Recovery capacity</b>	13 Gal (49 liters)
<b>Working Grade</b>	2%
<b>Weight with batteries</b>	370lbs (168 kg)
<b>Weight without batteries</b>	235 lbs (107 kg)
<b>Dimensions (LxWxH)</b>	48 x 26.0 x 38.0 (112.8 x 47.8 x 107.4 cm)
<b>Drive Motor Power</b>	1/5 HP (150W)

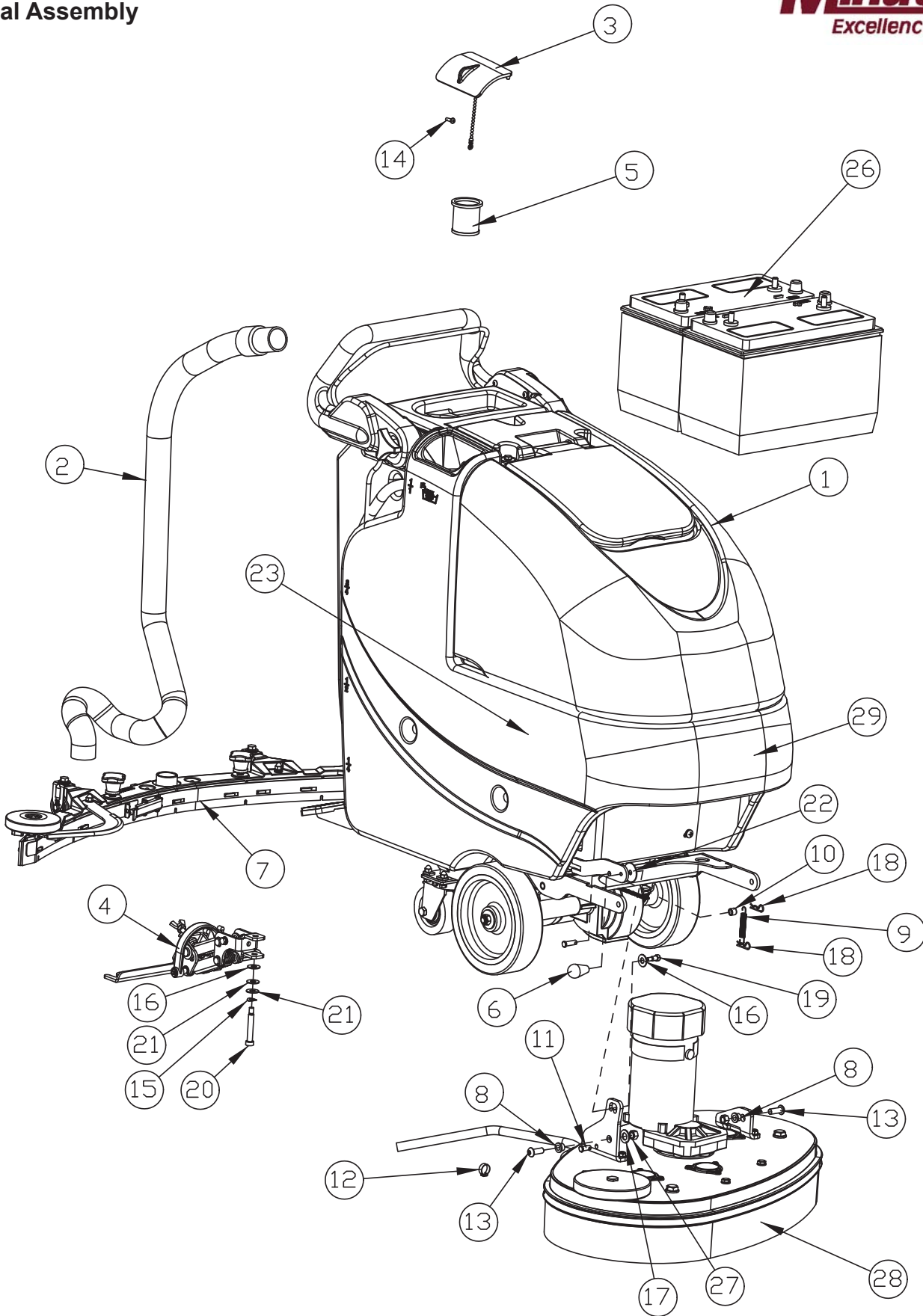


### For Safety When Servicing or Maintaining Machine

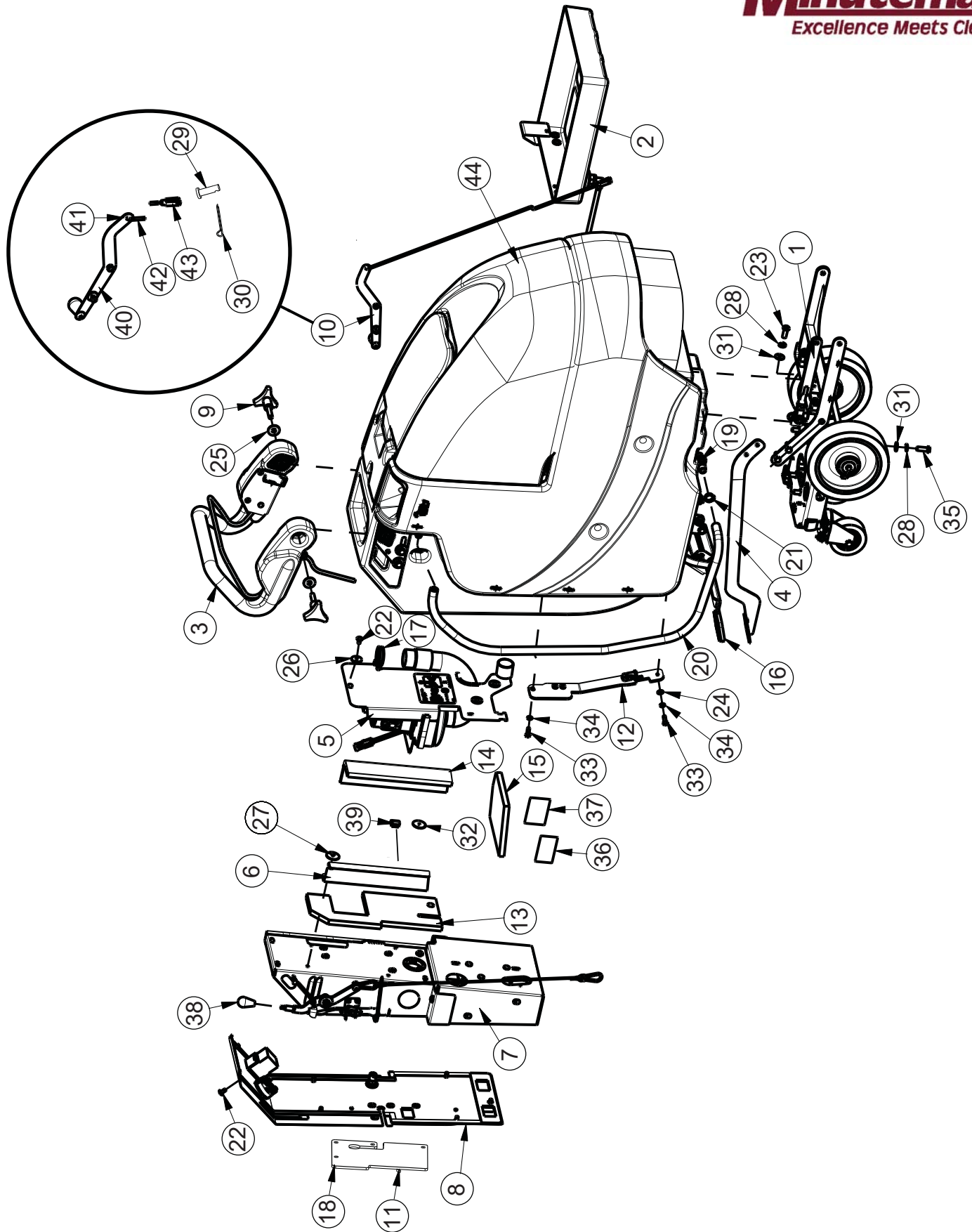
- Stop on level surface.
- Disconnect the power to the machine by pulling the red Battery Connector located under the recovery tank near the batteries.
- Avoid moving parts. Do not wear loose jackets, shirts, or sleeves when working on machine.
- Avoid contact with battery acid. Battery acid can cause burns. When working on or around batteries, wear protective clothing and safety glasses. Remove metal jewelry. Do not lay tools or metal objects on top of batteries.
- Do not clean machine with a pressure washer.
- Authorized personnel must perform repairs and maintenance. Use Minuteman supplied replacement parts.

## Table of Contents

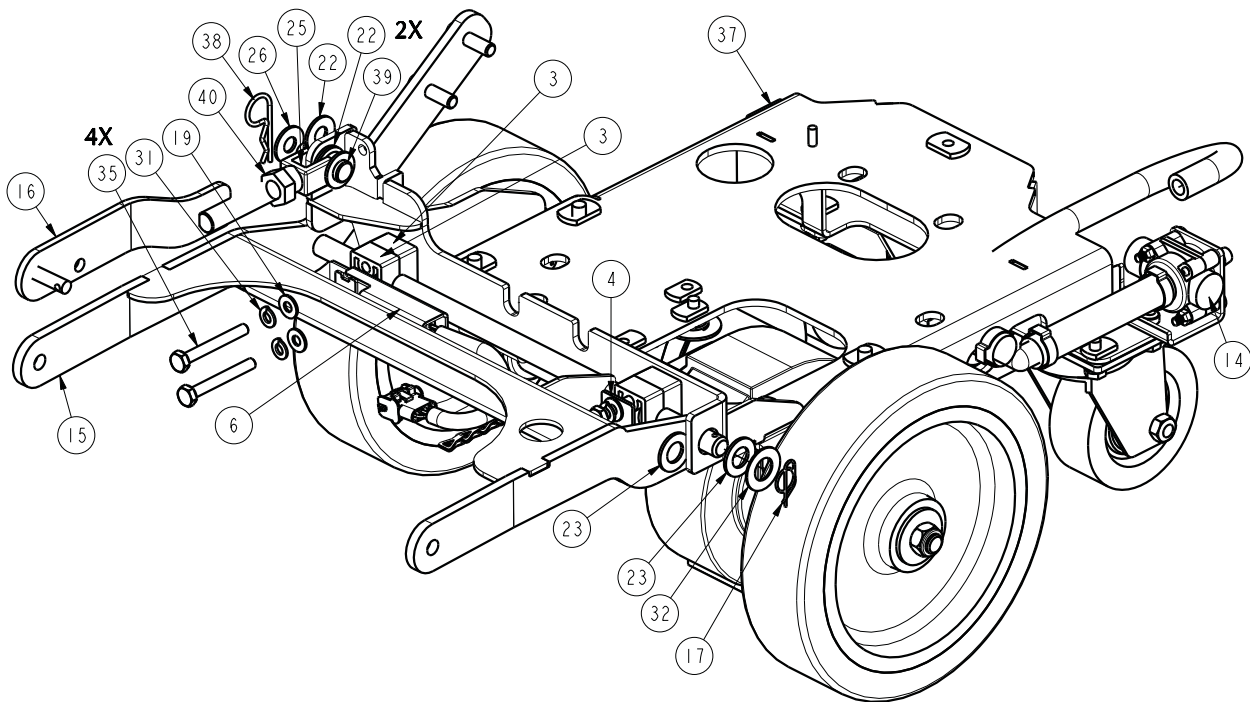
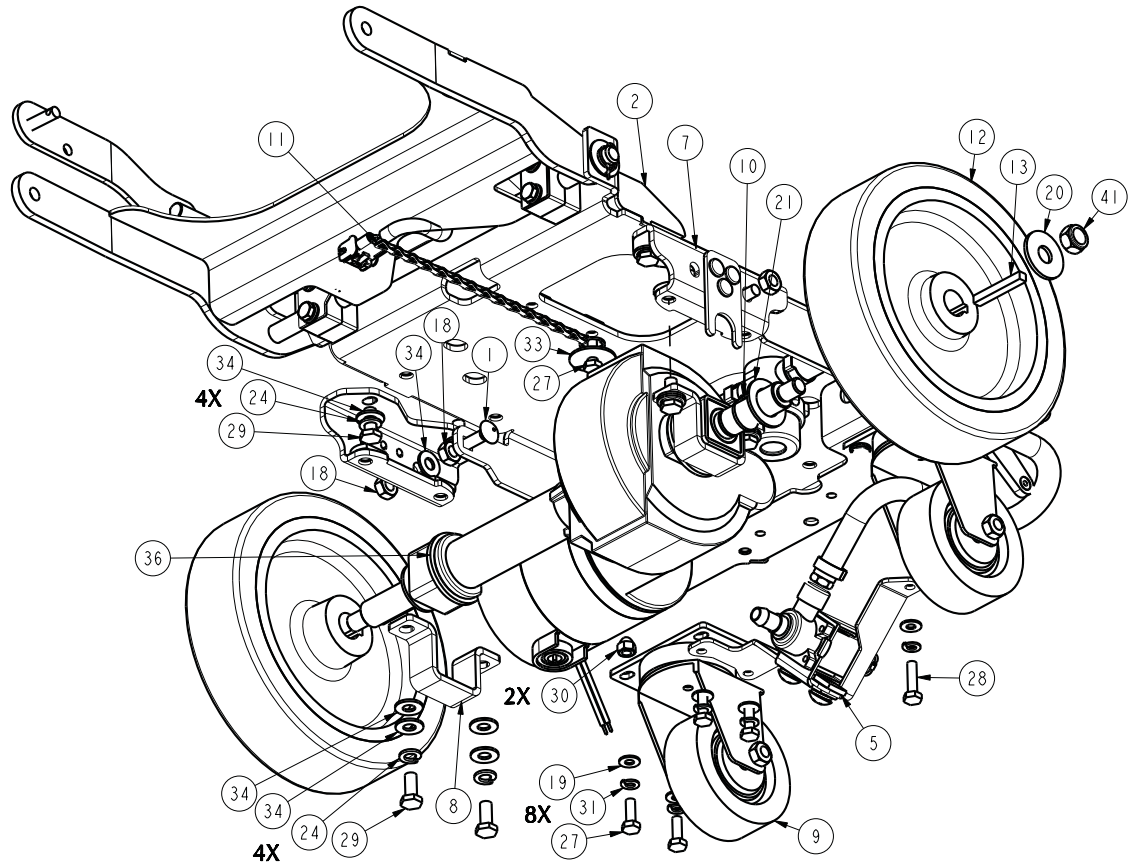
Technical Specifications .....	2
Final Assembly .....	4
Final Assembly BOM .....	5
Main Assembly (Page 1 of 2) .....	6
Main Assembly BOM .....	7
Chassis Assembly .....	8
Chassis Assembly BOM .....	9
Base Assembly .....	10
Solution Tank Assembly .....	11
Recovery Tank Assembly .....	12
Recovery Tank Assembly BOM .....	13
Handle Assembly .....	14
Handle Assembly BOM .....	15
Solenoid Assembly .....	16
Solution Valve Assembly .....	16
Battery Tray Assembly .....	17
Electrical Box Assembly - Page 1 .....	18
Electrical Box Assembly - Page 2 .....	19
Electrical Box Assembly BOM .....	20
Electrical Panel Assembly .....	21
Electrical Panel Assembly BOM .....	22
Electrical Box Cover Assembly .....	23
Electrical Box Cover Assembly BOM .....	24
Vacuum Motor Assembly .....	25
Vacuum Motor Assembly BOM .....	26
99711100 Brush Deck Sub 1 .....	27
Brush Deck Sub 1 BOM .....	28
99711100 Brush Deck Sub 2 .....	29
99711100 Brush Deck Sub 2 BOM .....	30
Vacuum Switch Assembly .....	31
Rear Squeegee Assembly .....	32
Rear Squeegee Assembly .....	33
Squeegee Mechanism Assembly .....	34
Squeegee Mechanism Assembly BOM .....	35
Wiring Diagrams .....	36
Warranty .....	40



BILL OF MATERIAL				
ITEM	PART NO.	QTY	DESCRIPTION	NOTES
1	171010-ECO	1	BASE ASM	
2	172010	1	HOSE, CLEAR VAC W/ 90 CUFF	
3	172018	1	SOLUTION TANK LID ASSY	
4	172150	1	SQUEEGEE LIFT MECH ASSY	
5	172159	1	FILTER, FILL PORT , ES1720	
6	172423	1	KNOB, TAPERED 1/4-20	
7	172538	1	38" SQUEEGEE ASM, E26, E26ECO	
8	260066	2	OILITE BUSHING	
9	281047	1	SPRING, EXTENSION - 2.75"	
10	370058	1	BUSHING, .31 X .48X.385 SS	
11	450034	1	CLEVIS PIN, 5/16 X .75 LG	
12	450076	1	CLAMP-CRIMP 185R SS	
13	710995	2	SCR-SC 3/8-24 X 1.0 BHEAD ST PL	
14	711118	1	SCR-ST-A 10 X .75 SS	
15	711523	1	WSR-WAVE .37X .68 X .08	
16	711569	2	WSR-FLT .390 X .880 X .062 NYL	
17	711592	1	WSR-FLAT .506 X .9 X .064 NYL	
18	711808	2	COTTER PIN-HAIR #13	
19	712041	1	BLT- SHLDR .31 X .375 X 1/4-20	
20	712143	1	BLT-SHLD 3/8 X 2.0, 5/16-18	
21	712301	2	WSR-FLAT .37 X .87 X .06	
22	712759	1	WSR- FLT .31 X 1.37 X .06 SS	
23	715921	2	DECAL, E26ECO SPORT	
24	740164-1	1	JUMPER CABLE ASSY, RED 4G 12"	NOT SHOWN
25	747649	1	CABLE ASSY, BATTERY E17	NOT SHOWN
26	956140	2	BATTERY, 12V 140AH	
26G	956100	2	BATTERY-AGM 12V 100AH	
26T	956753	2	BATTERY WET 12V 130AH TROJAN	
27	3400067	2	NUT-HEX 3/8-24 ZP	
28	99711100	1	26ECO DISC BRUSH DECK	
29	715914W	1	DECAL, MINUTEMAN	
30	172008	1	SOLUTION TANK LID	COMPONENT OF ITEM 3
31	172123	1	CHAIN, BEADED SS W/EYELET S	COMPONENT OF ITEM 3
32	712145	1	SCR-MC 6-32 X .37 PPH SS	COMPONENT OF ITEM 3



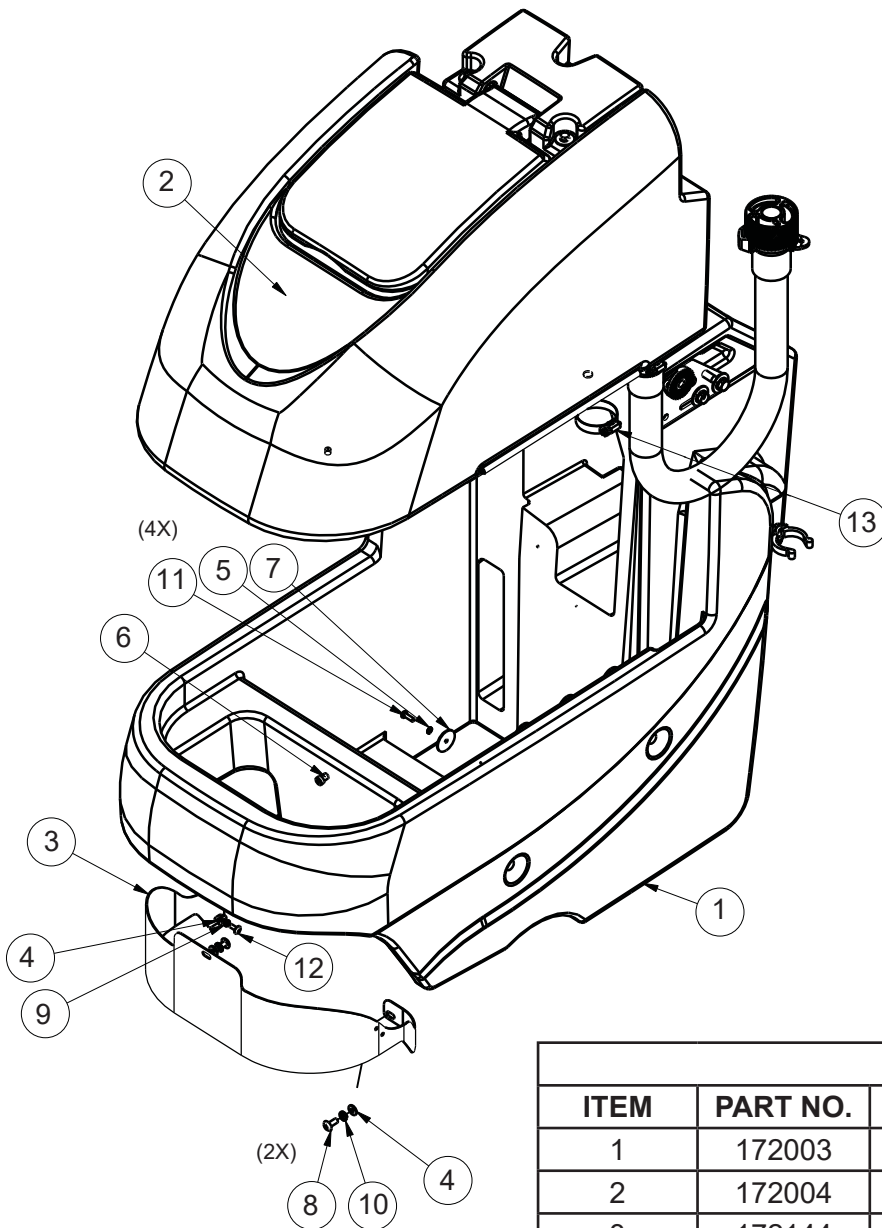
BILL OF MATERIAL							
ITEM	PART NO.	QTY	DESCRIPTION	ITEM	PART NO.	QTY	DESCRIPTION
1	172409	1	CHASSIS ASM, E26ECO	23	710985	2	SCR-SC 3/8-16 X .62 ST PL
2	172012	1	BATTERY TRAY ASSY	24	711504	2	WSR-FLAT 1/4 ID SS
3	172015-26	1	HANDLE ASSEMBLY	25	711507	2	WSR-FLAT .37 X 1.12 X .06
4	172032	1	LIFT PEDAL WMT	26	711519	3	WSR- FLAT .25 X 1.01 X .06
5	171022	1	VACUUM MOTOR ASSY	27	711543	1	WSR-HELICAL #10
6	172055	1	BKT, VAC AREA INSIDE COVER	28	711546	6	WSR-HELICAL 3/8
7	171020-SPORT	1	ELEC BOX ASSY - SPORT	29	711803	1	COTTER PIN-HAIR
8	172485	1	SPORT ELEC BOX COVER	30	712117	1	CLEVIS PIN
9	172085	2	KNOB, 3/8-16 STUD, 3 LOBE	31	712301	6	WSR-FLAT .37 X .87 X .06
10	172112	1	SOL CONTROL ASSY	32	712312	2	WSR-FLAT .187 X 1.25
11	172129	1	BKT, PWR CORD MOUNT	33	712562	2	BOLT-HH 1/4-20X3/4 SS
12	172032	1	LIFT PEDAL WMT	34	712758	2	WSR-HELICAL 1/4 SS
13	172184	1	FOAM COVER, REAR 1	35	713042	4	BLT-HH 3/8-16 X 1 #5
14	172185	1	FOAM COVER, REAR 2	36	715029	1	DECAL-NAME PLATE SERIAL
15	172187	1	FOAM COVER, FRONT 2	37	715047	1	DECAL-CLEAR LAMINATE 2X3
16	210142	1	PEDAL PAD	38	760592	1	KNOB, OVAL TAPERED
17	3303255	1	CLAMP-HOSE 1.75 DIA NOMI-NAL	39	809443	1	CLIP-WIRE & CORD
18	293080	1	STRAIN RELIEF-HEYCO 1207	40	172115	1	SOL CNTRL LEVER ASSY
19	342440	1	FTG, TEE 3/4MPT 1/2 BARB PP	41	172122	1	NUT, PUSH-ON WSR CAP, 3/16
20	430156	1	HOSE, 1/2 X 42 CLEAR	42	172069	1	ROD, SOL. CTRL, ES1720
21	450093	2	CRIMP CLAMP 3/4" STEP-LESS	43	172062	1	YOKE, 3/16 CLEVIS, 10-32, LONG
22	710178	10	SCR-MC 1/4-20 X .50 TRUSS STPL	44	171010-ECO	1	17/20 ECO ASSY





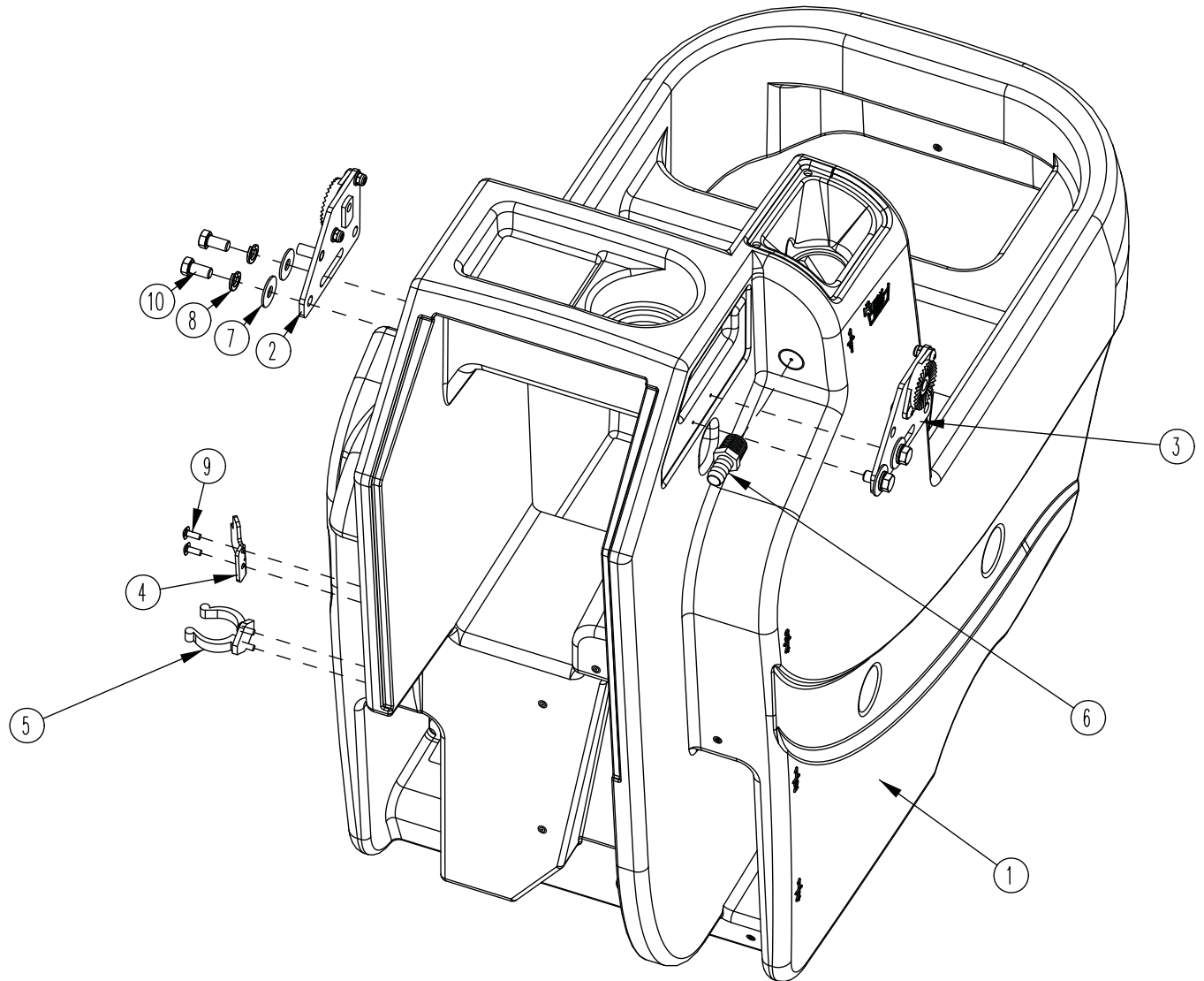
## BILL OF MATERIAL - 172409

ITEM	PART #	QTY	DESCRIPTION	ITEM	PART #	QTY	DESCRIPTION
1	70-516-16	2	BLT-CARR 5/16-18 X 1 ZP	22	711569	3	WSR-FLAT .390 X .880 X .062 NYL
2	172020	1	E1720 MAIN FRAME WMT	23	711592	2	WSR-FLAT 1/2 X .90 X .064 NYLON
3	172038	4	BEARING BLOCK	24	712140	8	WSR-LOCK 5/16 SPLIT SS
4	172039	1	BEARING BLOCK PLATE	25	712265	1	CLEVIS-YOKE, 1/2-20 WITH .375 PIN
5	172104	1	SOLENOID MOUNT ASSY	26	712301	2	WSR-FLAT 3/8 X .87 X .06 ZP
6	172110	1	DECK SWITCH ASSY	27	712562	8	SCR-HH 1/4-20 X .75, 18-8 SS
7	172113	2	BKT, TRANSAXLE MOUNT BASE	28	712564	1	SCR-HH 1/4-20 X 1.00 SS
8	172114	2	BKT, TRANSAXLE MOUNT	29	712575	8	SCR-HH 5/16-18 X .75 18-8 SS
9	172167	2	CASTER, 3 1/2" PU WHEEL	30	712591	2	NUT-ACORN 1/4-20 SS
10	172425	2	RING-RET EXT .75/20mm HD	31	712758	12	WSR-LOCK 1/4 SPLIT SS
11	172516	1	DRAG CHAIN, SS, 8" W/ RING	32	712760	1	WSR-FLAT .56 X 1.06 X .04 SS
12	172518	2	WHEEL, 8X2 PU GROOVED	33	712761	1	WSR-FENDER 1/4 X 1.25 X .059 SS
13	172519	2	KEY-SQUARE 6MM X 45MM	34	712772	14	WSR-FLAT .344 X .75 X .06 SS
14	172571	1	ASSY-SOLUTION VALVE E1720	35	713007	4	SCR-HH 1/4-20 X 2.00 ZP GR 5
15	245700	1	WELDMENT, SH LIFT ARM, 2°	36	747606	1	TRANSAXLE, E1720 24V
16	245703	1	WELDMENT, UPPER ARM	37	809444	1	CLIP-CORD
17	600578	1	RING-RUE .50 ZP	38	833374	1	PIN-HAIRPIN COTTER 3/8
18	711383	4	NUT-HEX 5/16-18 ZP REV. LOC	39	833833	1	PIN-CLEVIS 3/8 X 1.25
19	711504	12	WSR-FLAT 1/4 SS	40	3400449	1	NUT-JAM 1/2-20 ZP
20	711510	2	WSR-FLAT 1/2 X 1.37 X .10 ZP	41	12040077	2	NUT-NYLOC M12 X 1.75 ZD CLASS 8
21	711512	2	WSR-FLAT 3/4 X 1.37 X .08 ZP				



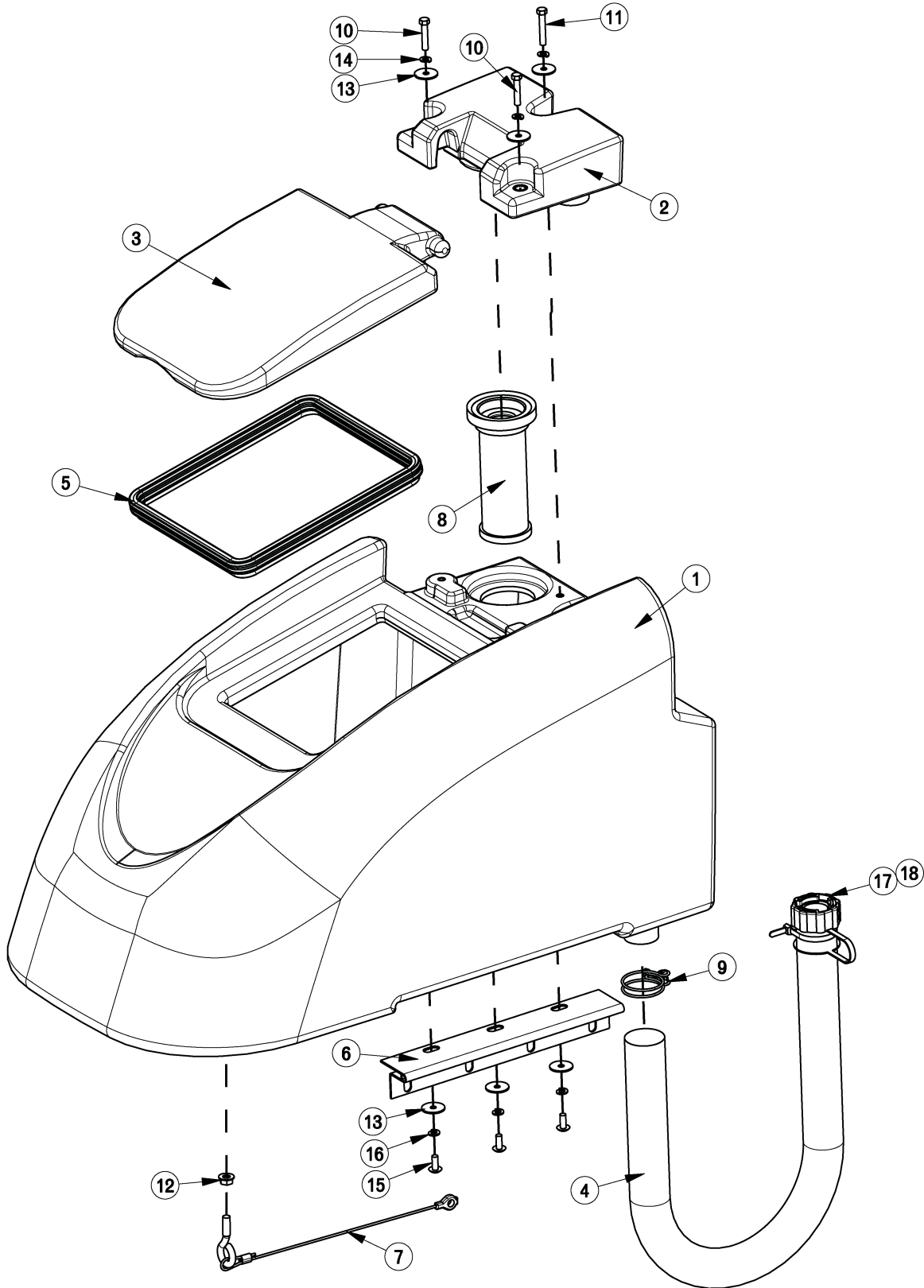
**BILL OF MATERIAL**

ITEM	PART NO.	QTY	DESCRIPTION
1	172003	1	SOL TANK ASSY, E1720
2	172004	1	REC TANK ASSY
3	172144	1	PANEL, FRONT 1720
4	711504	3	WSR-FLAT 1/4 ID SS
5	711543	4	WSR-HELICAL #10
6	712041	1	BLT- SHLDR 1/4-20 X .44 X .37
7	712312	4	WSR-FLAT .187 X 1.25
8	712565	2	SCR-MC 1/4-20X.63 SS TR HD
9	712757	1	WSR - HELICAL #10 SS
10	712758	2	WSR-HELICAL 1/4 SS
11	712812	4	SCR-MC 10-24 X .62 PPH ST PL
12	712822	1	SCR-MC TR HD 10-24 X .50 SS
13	3303255	1	CLAMP-HOSE 1.75 DIA NOMINAL

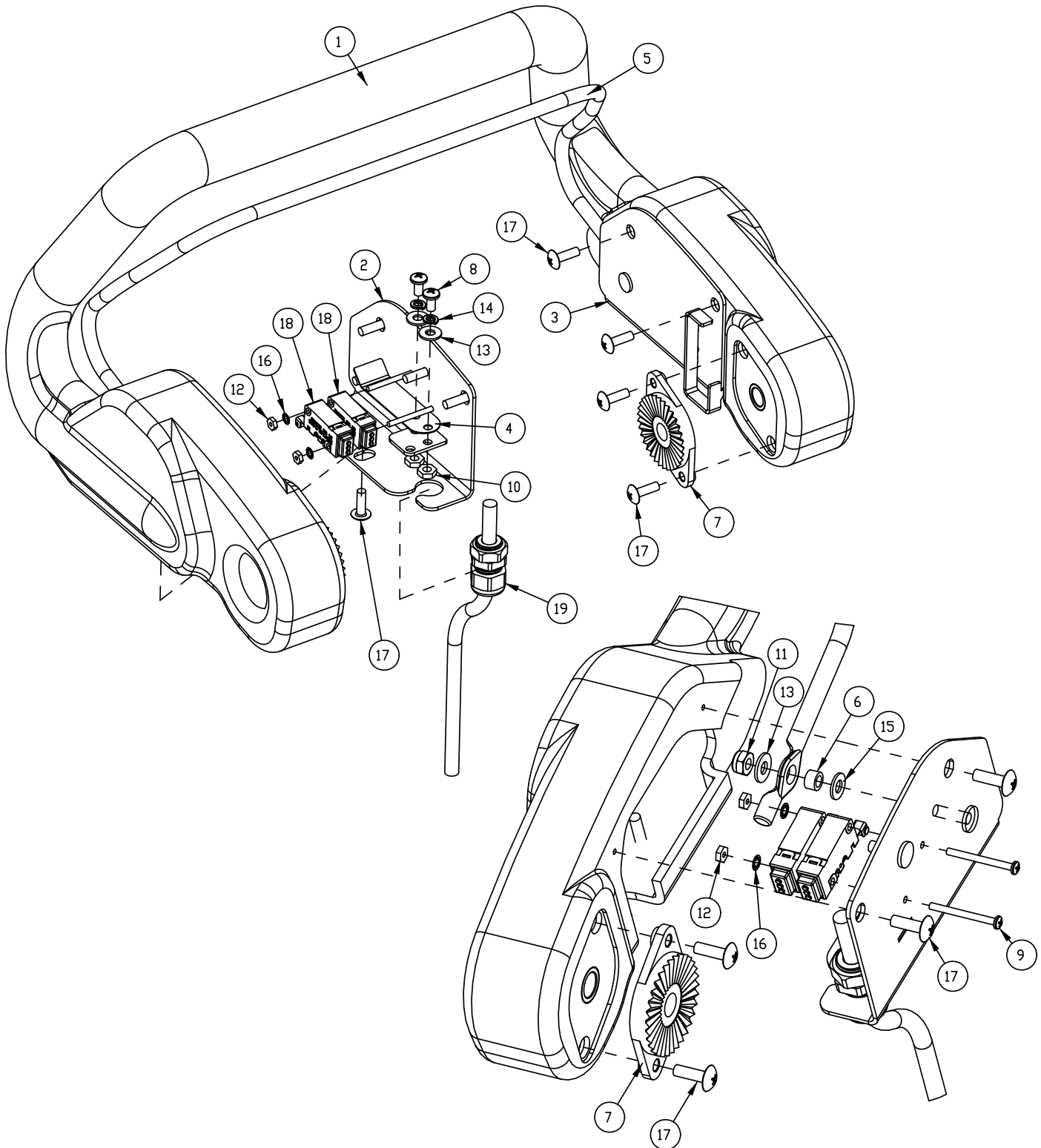


**BILL OF MATERIAL - 172013**

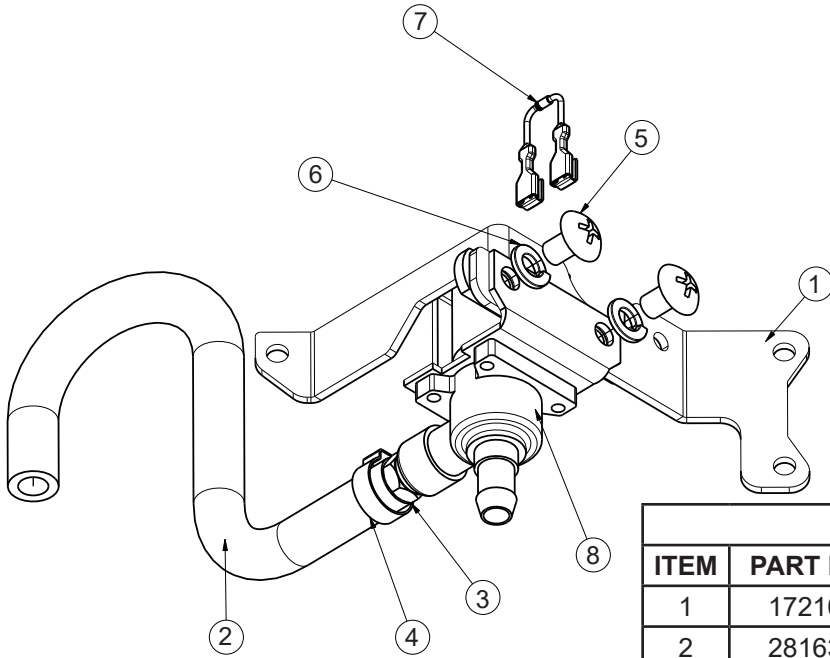
ITEM	PART NO.	QTY	DESCRIPTION
1	172003	1	SOLUTION TANK
2	172080	1	HANDLE MOUNT ASSY , LEFT
3	172082	1	HANDLE MOUNT ASSY , RIGHT
4	172341	1	HOOK , DRAIN HOSE WITH TWIST VALVE
5	260579	1	TOOL CLIP , 1.5 " HOSE
6	342438	1	FITTING , 1/2 MPT 1/2 HB BRASS
7	711507	4	WSR-FLAT .37 X 1.12 X .06
8	711546	4	WSR-HELICAL 3/8
9	712822	4	SCR-MC TR HD 10-24 X .50 SS
10	713041	4	BLT-HH 3/8 -16 X 3/4 # 5



BILL OF MATERIAL - 172014				
ITEM	PART NO.	QTY	DESCRIPTION	NOTES
1	172004	1	RECOVERY TANK	
2	172005	1	VACUUM MANIFOLD	
3	172007	1	LID	
4	97090096	1	DRAIN HOSE ASSY, RECOVERY TANK	INCLUDES ITEMS 17 & 18
5	172017	1	GASKET, LID	
6	172049	1	HINGE, RECOVERY TANK	
7	172394	1	REC TANK CABLE ASSY 11.625	
8	172132	1	SCREENED FLOAT	
9	3303255	1	CLAMP-HOSE 1.75 DIA NOMINAL	
10	711210	2	BLT-HH 1/4-20 X 1.25 STPL	
11	711212	1	BLT-HH 1/4-20 X 1.50 STPL	
12	711379	1	NUT, FLANGED WIZZ 5/16-18	
13	711519	6	WSR- FLAT .25 X 1.01 X .06	
14	711544	3	WSR-HELICAL 1/4	
15	712565	3	SCR-MC 1/4-20X.63 SS TR HD	
16	712758	3	WSR-HELICAL 1/4 SS	
17	15282072	1	REPLACEMENT O-RING (NOT SHOWN)	
18	90304528	1	REPLACEMENT CAP	

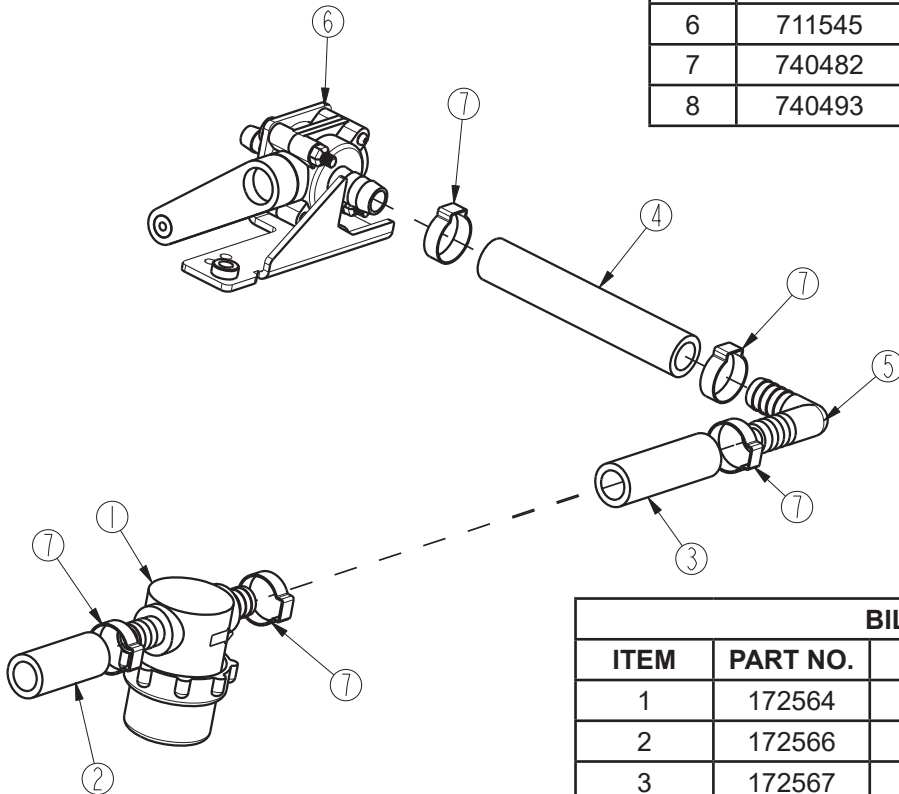


BILL OF MATERIAL - 172016-26			
ITEM	PART NO.	QTY	DESCRIPTION
1	172006	1	ES 1720 HANDLE
2	172053	1	BAIL PLATE WMT RH
3	172054	1	BAIL PLATE WMT LH
4	172057	2	ES 1720 LEAF SPRIN G
5	172059	1	ES 1720 BAIL , HANDLE
6	172074	2	SPACER , 5/16 OD X 17 GA, ALUM
7	270143	2	HAND LE PIVOT JAW
8	710353	4	SCR -MCRD HD 10-32 X .37 STL
9	710495	2	SCR -MC 4-40 X 1.25 STL Z
10	711310	4	NUT , HEX 1 0 -3 2 ST PL
11	711350	2	NUT -NYLOC 10-32
12	711428	2	NUT -HEX 4-40
13	711503	6	WSR , FLAT #10
14	711543	4	WSR -HELICAL #10
15	712320	2	WSR -NYLON .22 X .45 X .04
16	712326	2	WSR -INT LOCK # 4
17	712830	10	SCR -MC 10 -24 X .62 ST LZ TRHD
18	747603-3	2	SWITCH ASY, MICROROLLER w /MATENLOK
19	747715-1	1	CABLE ASY, 5 COND 18 GE172 0TD



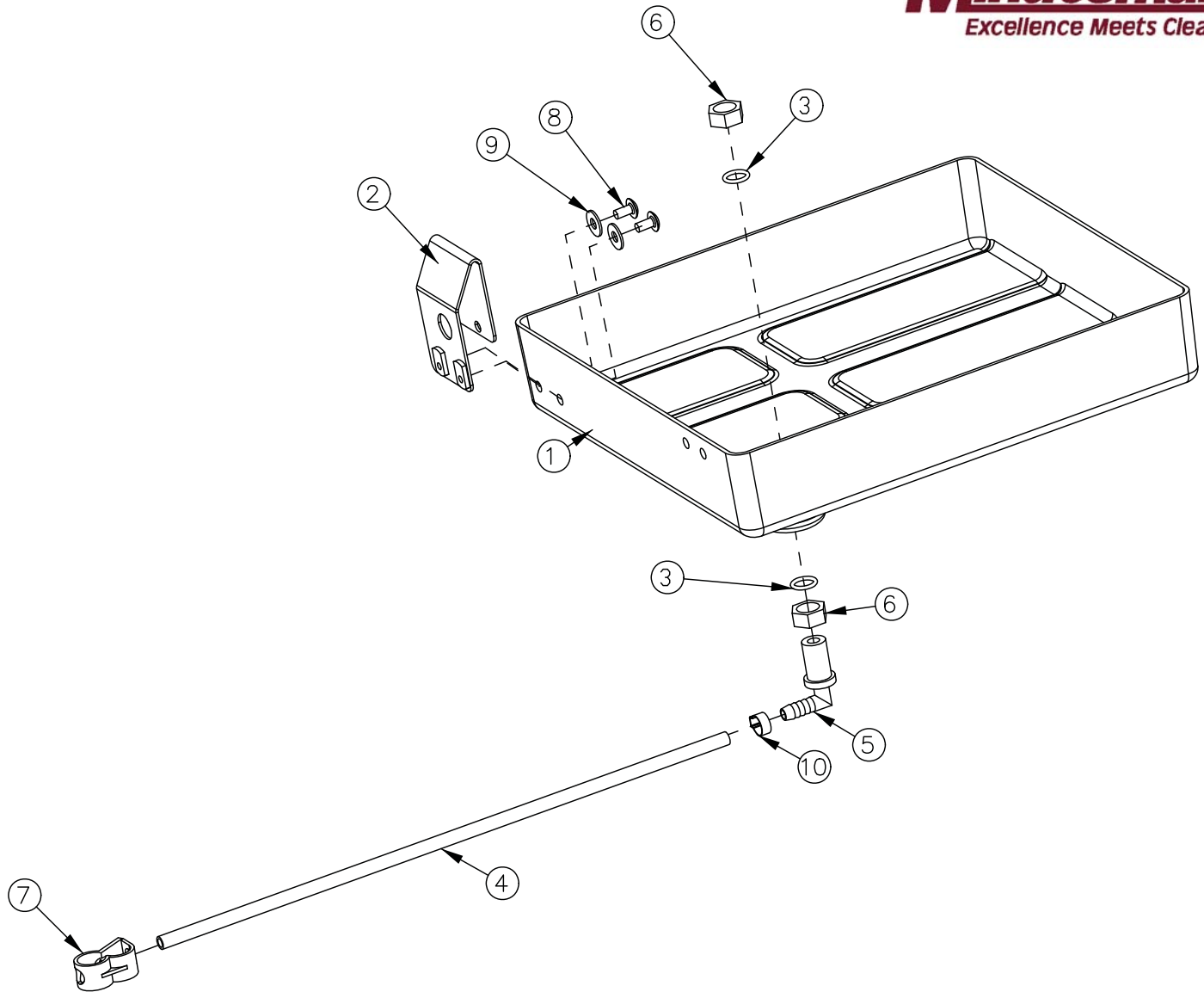
BILL OF MATERIAL - 172104			
ITEM	PART NO.	QTY	DESCRIPTION
1	172105	1	BKT, SOLENOID MOUNT
2	281637	1	HOSE-WIRE REINF 3/8 X 11"
3	320264	1	FTG-ADPTR 1/4 MPT X 1/4 HB BRASS
4	450076	1	CLAMP-HOSE 5/8 (.590-.791) SS
5	710195	2	SCR-PHMS 5/16-18 X .50 ZP
6	711545	2	WASHER-LOCK 5/16 SPLIT ZP
7	740482	1	DIODE ASY, 1N4007 W/PIGGY
8	740493	1	VALVE-WATER 24VDC

Solution Valve Assembly



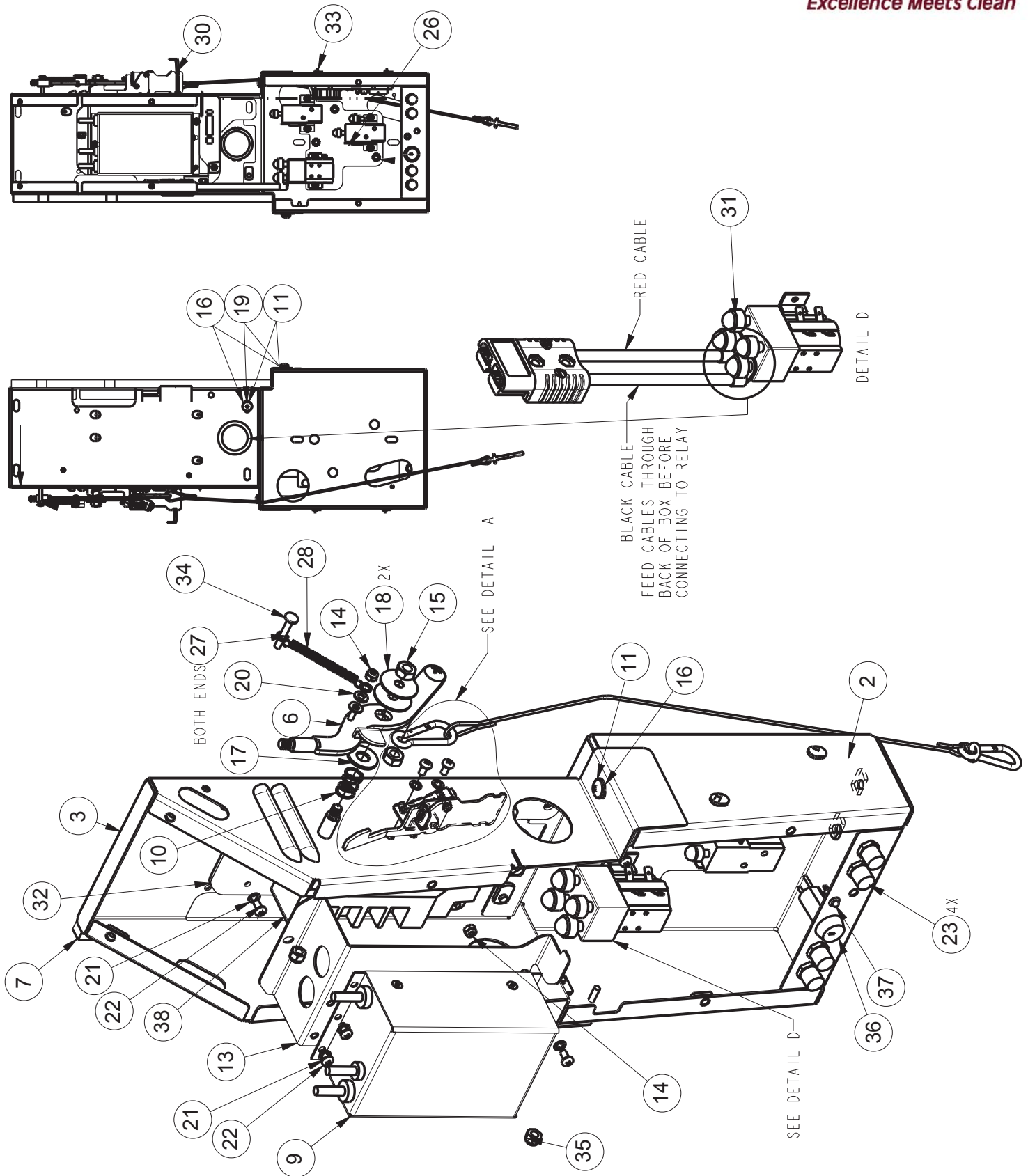
BILL OF MATERIAL - 172571			
ITEM	PART NO.	QTY	DESCRIPTION
1	172564	1	FILTER-SOLUTION E1720
2	172566	1	HOSE- 1/2ID X 1.75" NYLOBRAID
3	172567	1	HOSE-1/2"ID X 2.375" NYLOBRAID
4	172568	1	HOSE-WIRE REINF 1/2"ID X 4.25"
5	172569	1	FTG-ELBOW 90 1/2 HB X 1/2 HB NYLON
6	172579	1	SOLUTION CNTRL VALVE, WITH BRKT
7	383347	5	CLAMP-CRIMP 1/2 HOSE

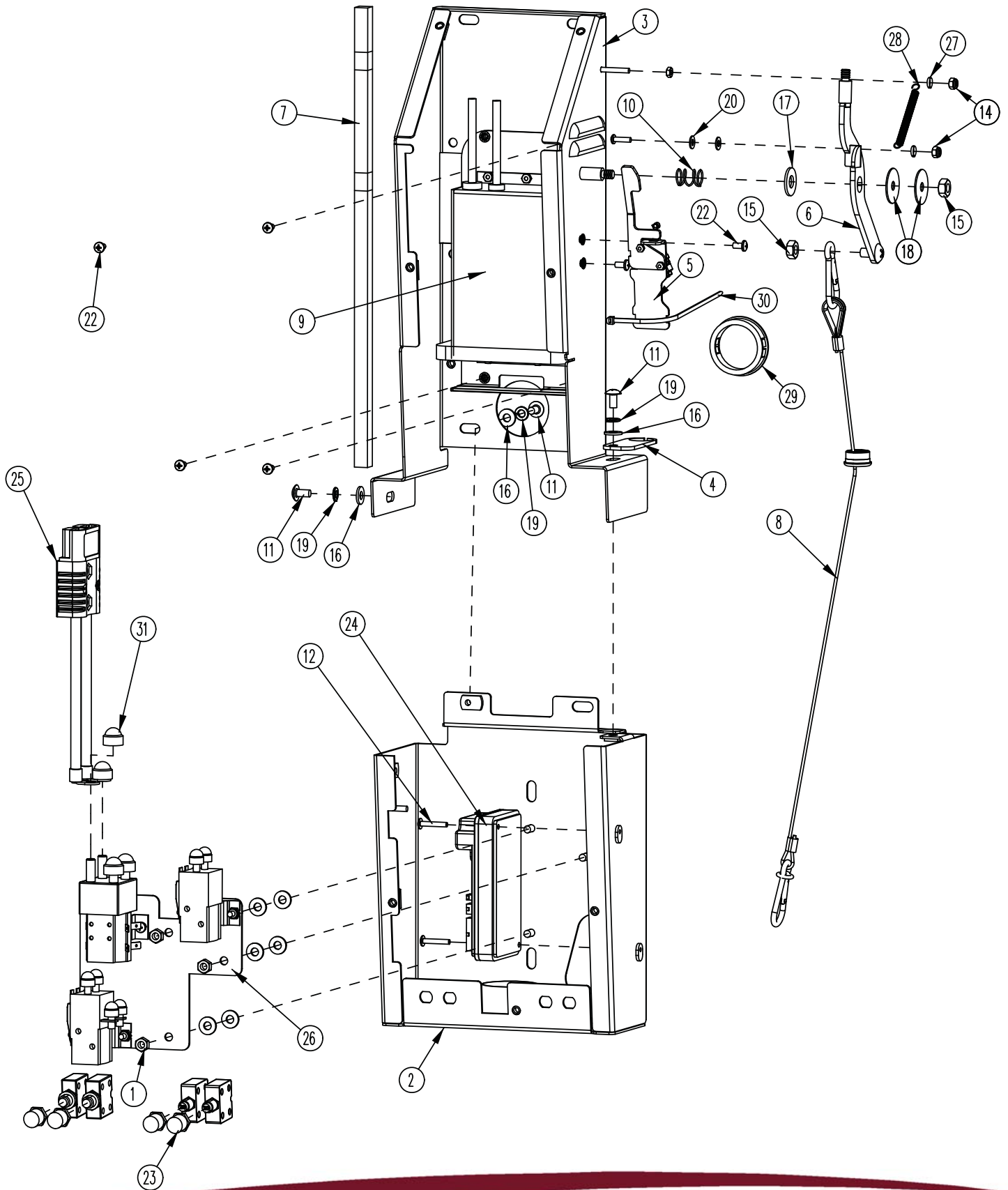




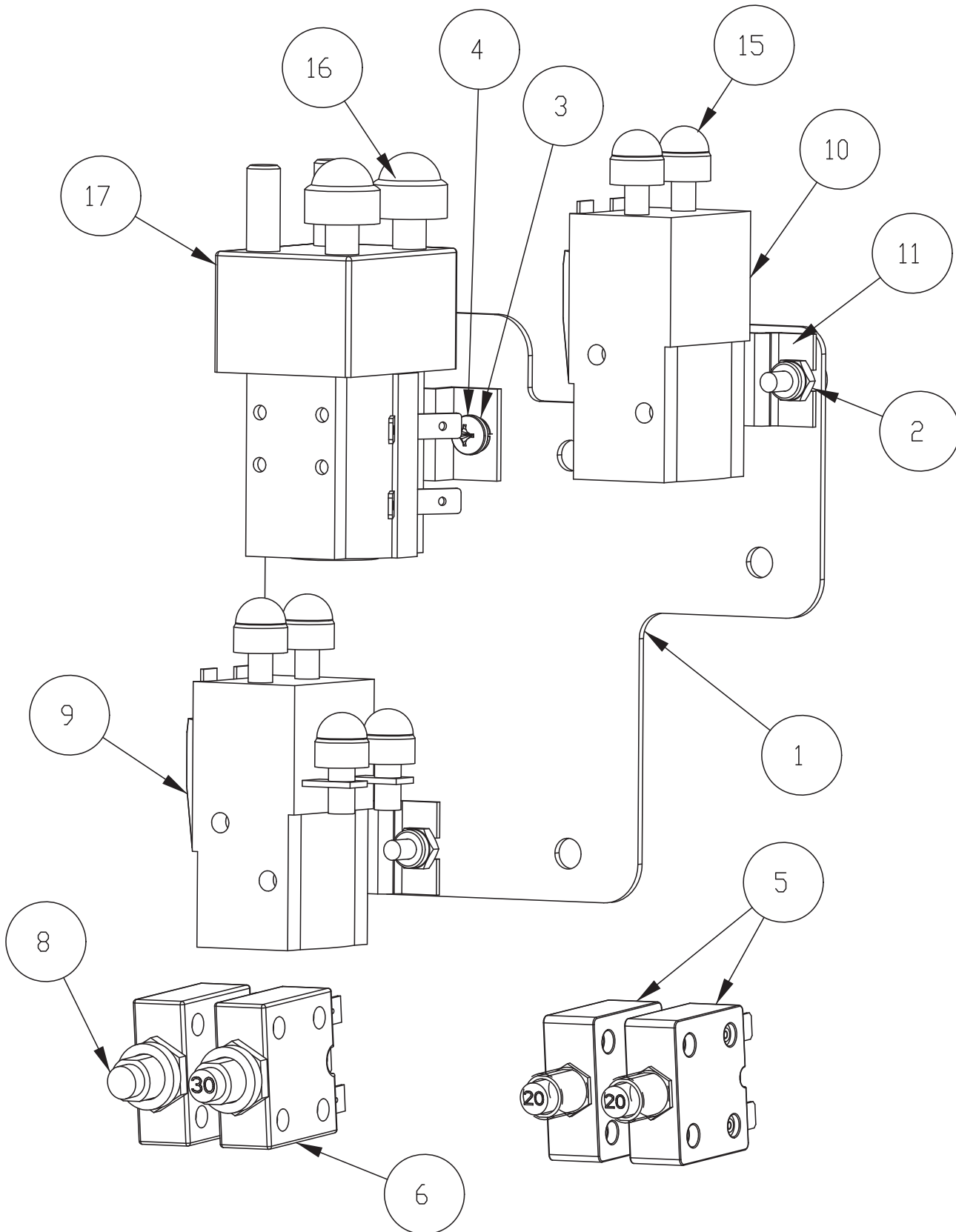
**BILL OF MATERIAL - 172012**

ITEM	PART NO.	QTY	DESCRIPTION
1	172116	1	BATTERY BOX
2	172213	1	BKT, SPACER FOR BATTERIES
3	210414	2	O RING 2-113
4	260224	1	18" HOSE
5	320271	1	NOZZLE BODY-ELBOW
6	320272	2	NOZZLE BODY LOCKNUT
7	320273	1	HOSE SHUT-OFF CLAMP
8	710178	2	SCR-MC 1/4-20 X .50 TRUSS STPL
9	711575	2	WSR-FLT .31x.75x..06ST
10	828490	1	CRIMP CLAMP 140R

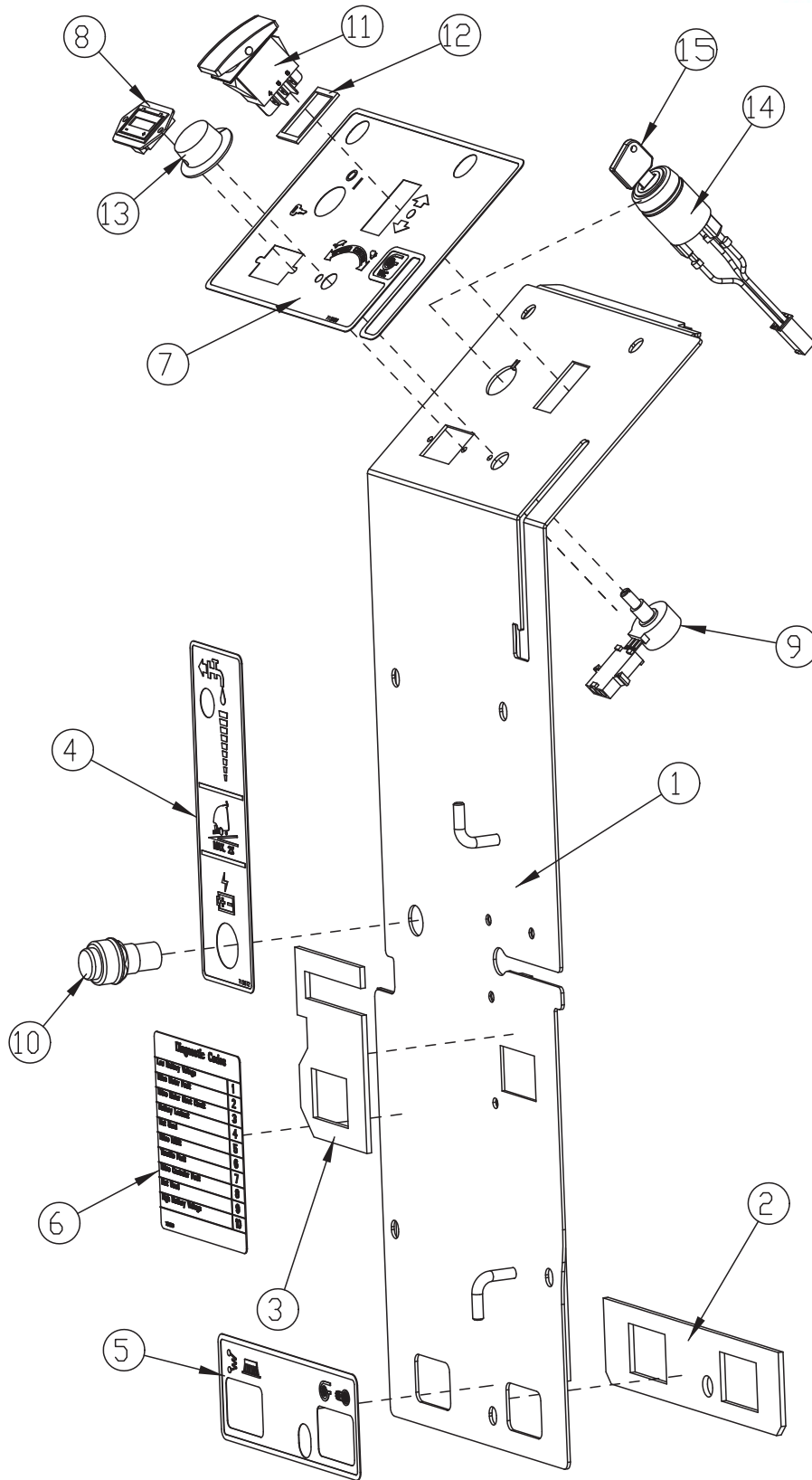




BILL OF MATERIAL - 171020-SPORT			
ITEM	PART NO.	QTY	DESCRIPTION
1	369-416	3	NUT-HEX 1/4-20 ZP DOUBLE SERRATED
2	172481	1	SPORT ELEC BOX BOTTOM HALF WMT
3	172088	1	ELEC BOX TOP WMT
4	172107	1	BKT, UPPER BUSHING MOUNT
5	172141	1	VAC SWITCH ASSY
6	172152	1	WELDMENT-VAC LEVER
7	172188	1	FOAM TAPE, 1/2" SQ X 16.5"
8	172381	1	SQUEEGEE CABLE ASSY
9	957761	1	CHARGER, SIGNET HBF300-24 NEMA 5-15 PLUG
10	670093	1	SPRING-COMP .502 X .6 X 1 ZINC
11	710178	3	SCR-THMS 1/4-20 X .50 ZP
12	710534	2	SCR-MC TR HD 8-32 X 1.00 SS
13	172492	1	PANEL, CHARGER MOUNT
14	711372	2	NUT-NYLOC 8-32 ZP
15	711383	2	NUT-HEX 5/16-18 ZP REVERSE LOC
16	711505	9	WASHER-FLAT 1/4 ZP
17	711508	1	WASHER-FLAT 3/8 X 1.00 X .08 ZP
18	711516	2	WASHER-FLAT 5/16 X 1.25 X .05 ZP
19	711544	3	WASHER-LOCK 1/4 SPLIT ZP
20	712320	2	WASHER-FLAT 20 X .45 X .048 NYLON
21	712770	6	WASHER-INT LOCK #10
22	712810	6	SCR-RHMS 10-24 X .37 ZP
23	742748	4	CIRCUIT BREAKER-BOOT
24	747710	1	I-DRIVE,24V 70A PM MOTOR CONTROL
25	747637	1	WIRE ASY, MACHINE-BATTERY E1720
26	748954	1	ELEC PANEL ASY, E1720 SPORT
27	760134	2	MOUNT RING
28	762084	1	SPRING-EXT .25OD X 2" F.L. MUSIC
29	762400	1	BUSH -HEYCO 1-5/8 X 2-1/8 X 29/64 2400 B
30	828062	1	CABLE TIE LARGE
31	15592033	2	CAP, SAFETY NUT COVER M8
32	172493	1	PANEL, I-DRIVE MOUNT
33	710035	2	SCR-PHMS 8-32 X 1.125 ZP
34	712533	1	SCR-PHMS 10-24 X 1.25 SS
35	712667	2	NUT-NYLOC 1/4-20 SS
36	747717	1	KEYSWITCH ASSY, 2 POS, ON/OFF
37	747718	1	LAMP ASSY, LED AMBER, 24V
38	747716	1	I-DRIVE, 24V 180A CONTROLLER-SPORT

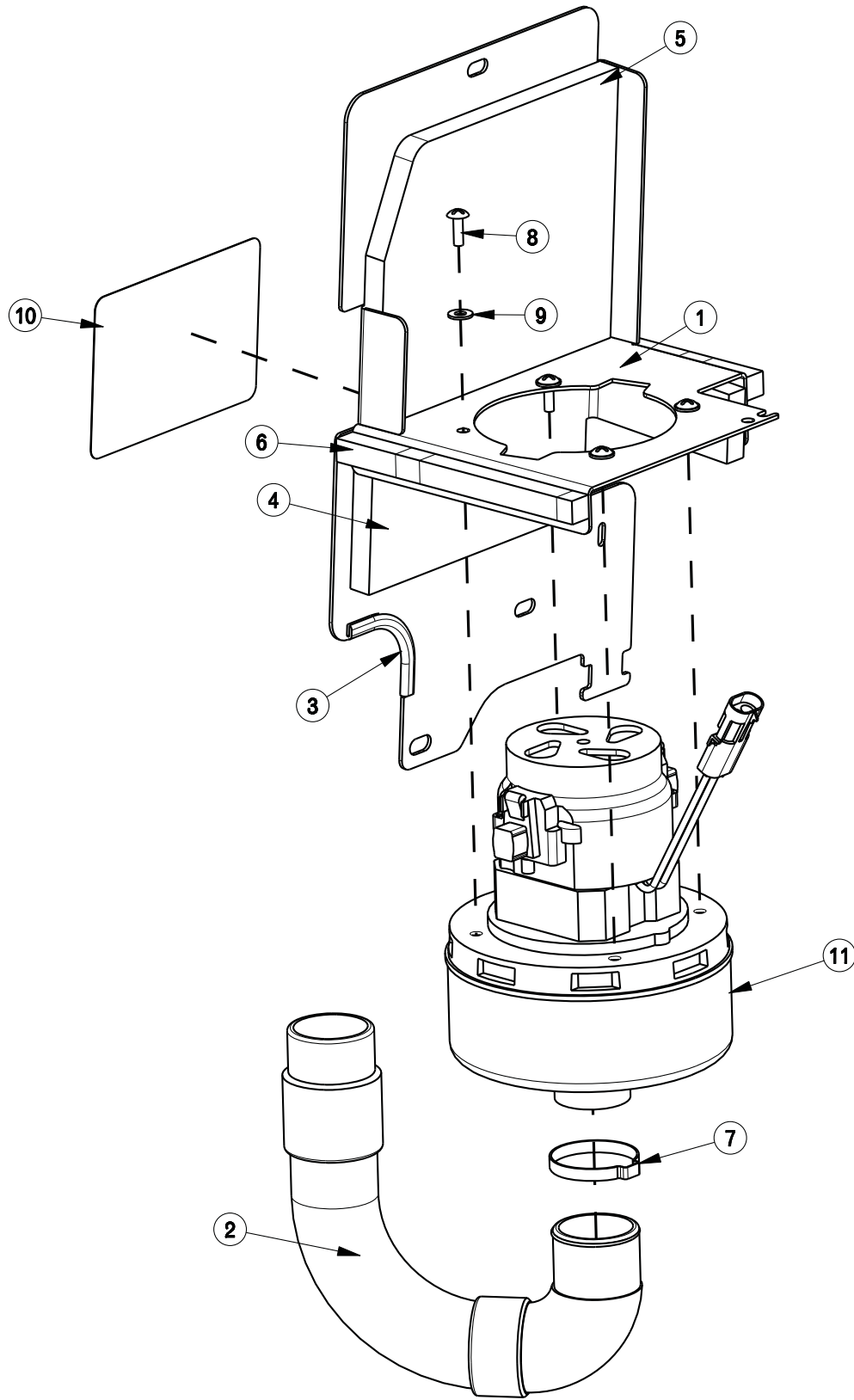


BILL OF MATERIAL - 748954			
ITEM	PART NO.	QTY	DESCRIPTION
1	172483	1	PANEL, RELAY MOUNT
2	711350	4	NUT -NYLOC 10-32
3	711543	2	WSR-HELICAL #10
4	712800	2	SCR-MC 10-24 X .25 ST PL
5	740220	2	CIRCUIT BREAKER-20AMP 2-T ERMIN
6	740549	1	CIRCUIT BREAKER-50AMP PUSH BUT
7	740482	2	DIODE ASY, 1N4007 W/PIGGY (NOT SHOWN)
8	747609	1	CIRCUIT BREAKER-4.0AMP PUSHBUT
9	747615	1	RELAY, 2 POLE CURT IS (1720)
10	747616	1	RELAY, 1 POLE CURT IS (1720)
11	747619	2	BRACKET , RELAY 747615 & 747616
12	748333	1	WIRE ASY, 18G RED 13" (NOT SHOWN)
13	747684	1	WIRE ASY, 18G RED/VIOLET 8" (NOT SHOWN)
14	748953	1	HARNESS, E20 SPORT, MAIN (NOT SHOWN)
15	15592025	6	CAP, SAFETY NUT COVER M 6
16	15592033	2	CAP, SAFETY NUT COVER M 8
17	90331026	1	RELAY, 24VDC 2 POLE 100A (HAKO)

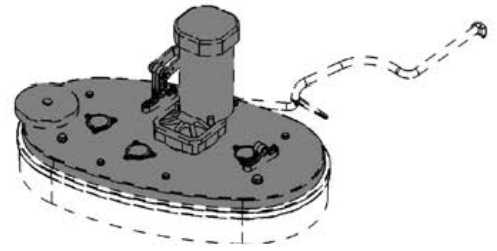
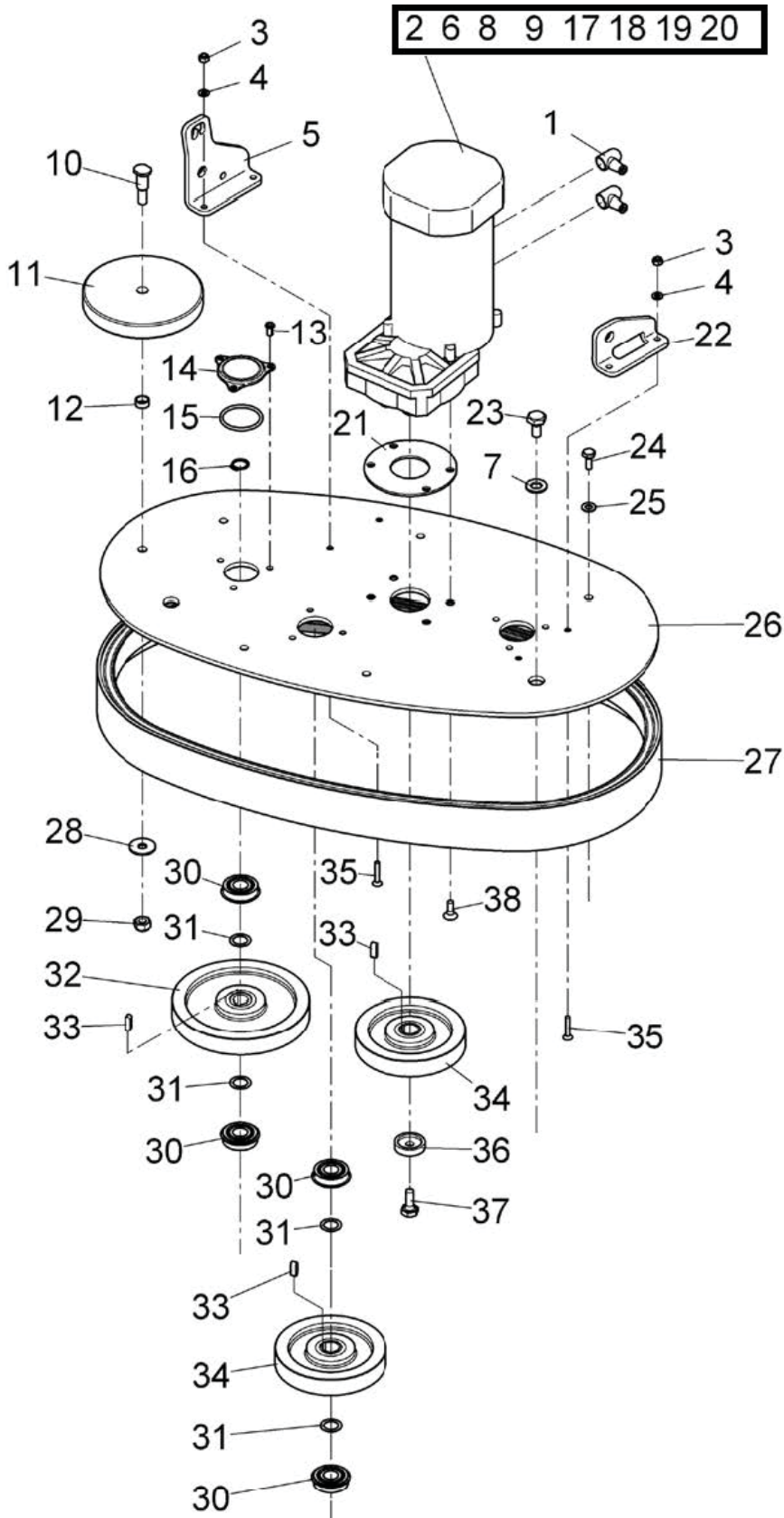


BILL OF MATERIAL - 172079-26S			
ITEM	PART NO.	QTY	DESCRIPTION
1	172485	1	E20 SPORT ELEC BOX COVER WMT
2	172193	1	GASKET , CB OUTLINE
3	172194	1	GASKET , CHARGER CORD PLATE
4	715697	1	DECAL, SPORT CHARGER STATUS
5	715693	1	DECAL, SPORT C.B./KEY/LED
6	715699	1	DECAL. DIAGNOSTIC CODES E1720T D
7	715680	1	DECAL, CYL DASHBOARD
8	747011	1	BATTERY GAUGE, TRUCHARG E
9	747026	1	POTENTIOMETE0R ASSY SPEED CONTROL
10	747614	1	CHARG E STATUS INDICATOR
11	748201	1	SWITCH , DPDT ON/OFF/ON
12	748209	1	GASKET -FOR 2 POLE ROCKER SWITCHES
13	809874	1	KNOB, SPEED CONTROL
14	748389	1	KEYSWITCH ASSY E26ECOSPORT
15	00745890	1	KEY SET (2 pc .) -REPLACEMENT FOR 90323437

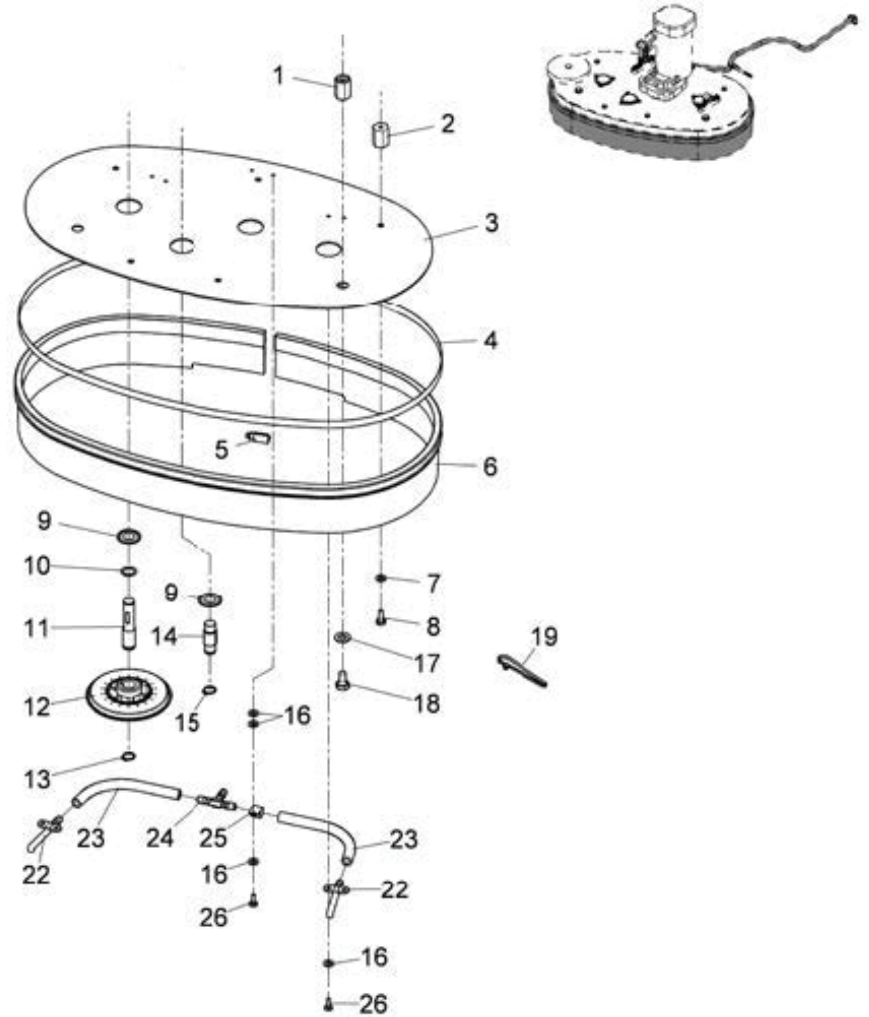
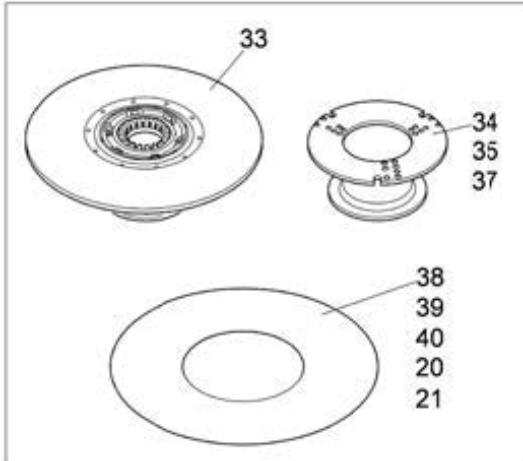
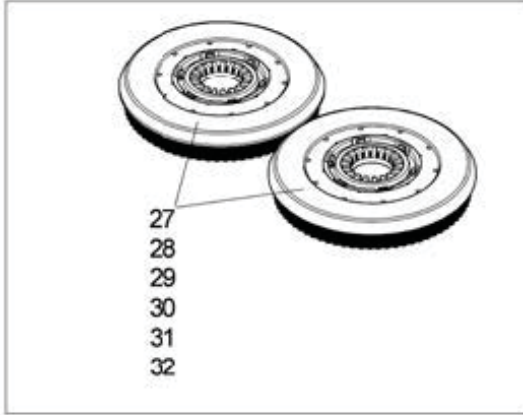




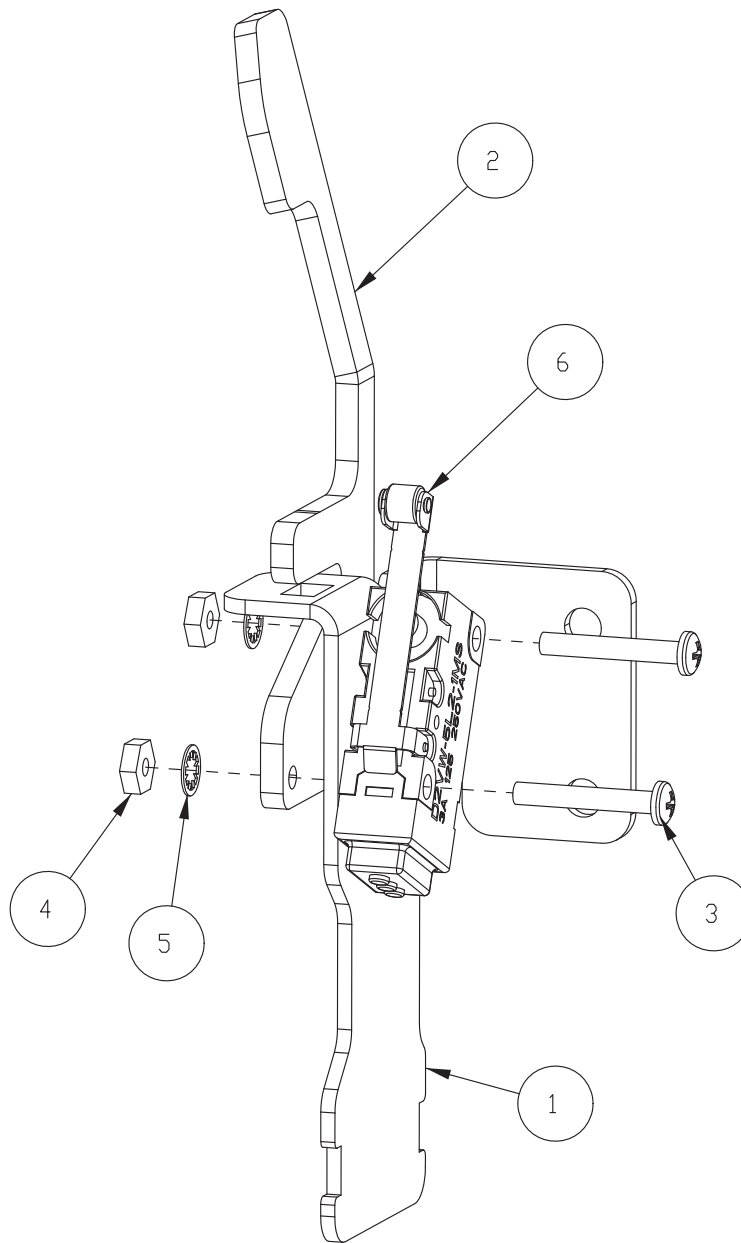
<b>BILL OF MATERIAL - 171022</b>			
<b>ITEM</b>	<b>PART NO.</b>	<b>QTY</b>	<b>DESCRIPTION</b>
1	172045	1	VAC MOUNT WMT
2	172048	1	HOSE, STRETCH 13"
3	172124	1	EDGE TRIM, .063 X 3.0, BLACK
4	172186	1	FOAM COVER, FRONT 1
5	172187	1	FOAM COVER, FRONT 2
6	172188	2	FOAM TAPE, 1/2" SQ X 16.5"
7	450095	1	CRIMP CLAMP, 1.75"
8	711160	4	#10 X 5/8 HI-LO
9	711503	4	WSR, FLAT#10
10	715967	1	DECAL, BATT CABLE ROUTE
11	747607-1	1	VAC MOTOR ASY



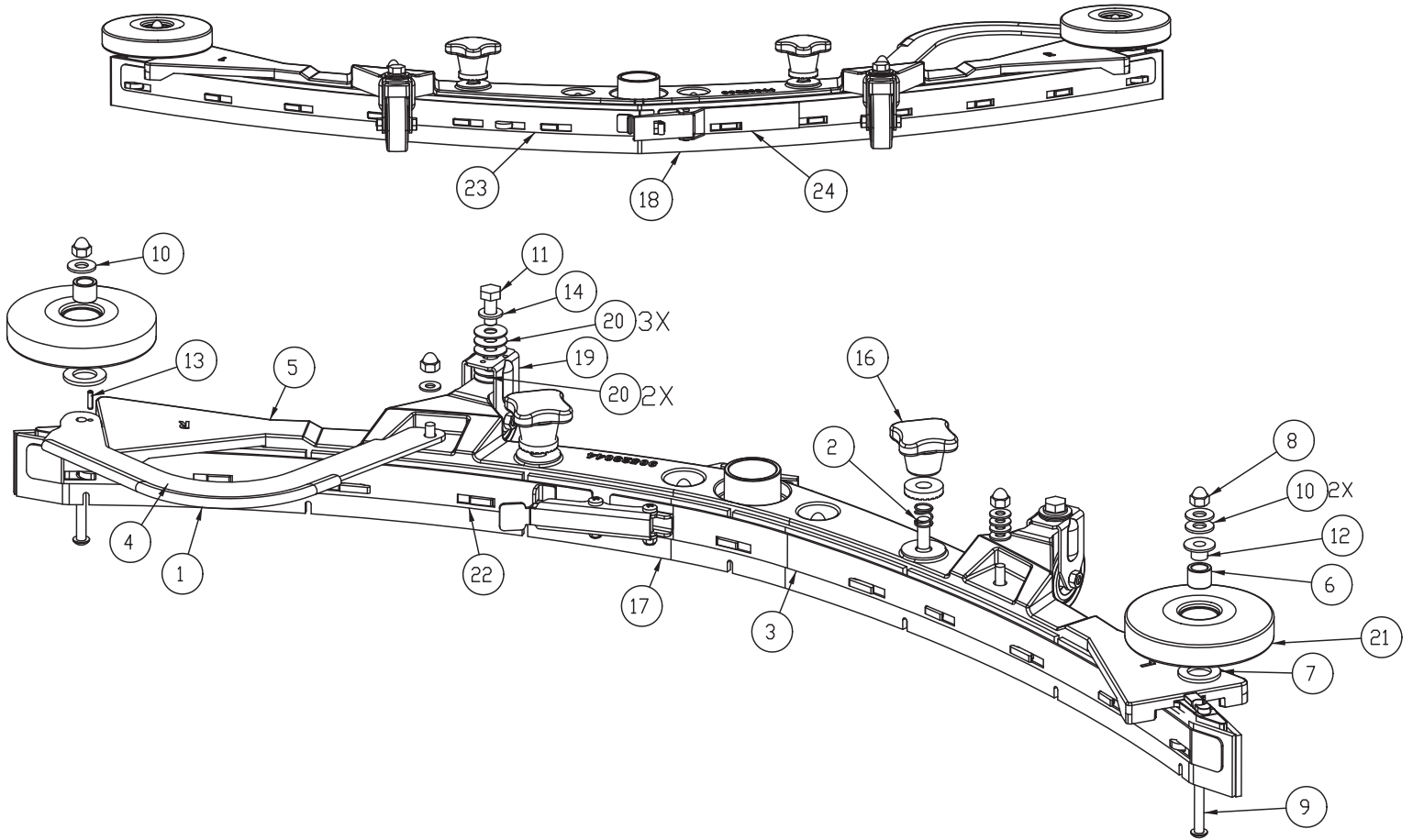
BILL OF MATERIAL - 99711100			
ITEM	PART NO.	QTY	DESCRIPTION
1	01078070	2	PROTECTION CAP
2	90507476	1	MOTOR, 24VDC PM 550W THERMAL SWITCH
3	00051520	4	HEX. NUT
4	00053730	8	WASHER
5	90589748	1	RETAINER R.H.
6	01077240	1	SET (4PC.) CARBON BRUSH
7	00053770	2	WASHER
8	01077250	1	SPRING
9	01077210	1	GEAR
10	01179060	1	SCREW
11	01172880	1	DEFLECT OR ROLLER
12	01179070	1	BUSHING
13	01076740	9	RIVET
14	01076750	3	COVERING
15	00041540	3	O-RING
16	00022230	2	RETAINING RING
17	01077220	1	CIRCLIP
18	01178440	1	COVERING
19	01178450	1	COVERING
20	01178460	1	BOLT
21	01179080	1	SHEET METAL
22	90589730	1	RETAINER L.H.
23	00101160	2	HEXAGON SCREW
24	00553690	5	HEX.BOLT
25	00053750	5	WASHER
26	01179100	1	PLATE UPPER
27	01076770	1	GASKET
28	01161070	1	WASHER
29	00051500	1	HEX. NUT
30	00901380	6	DEEP GROOVE BALL BEARING
31	00155180	6	ADJUSTING WASHER
32	00712890	2	GEAR WHEEL
33	00121640	5	FEATHER KEY
34	00901100	2	GEAR WHEEL
35	00021310	4	COUNTERSUNK SCREW
36	00736620	1	WASHER
37	00077110	1	HEXAGON SCREW
38	00059080	4	COUNTERSUNK SCREW



BILL OF MATERIAL				
ITEM	PART NO.	QTY	DESCRIPTION	NOTES
1	00959670	2	SPACER SLEEVE	
2	00901350	5	NUT	
3	01179110	1	LOWER PLATE	
4	00712300	1	TENSION BAND	1 .880 METERS
5	00901390	1	TENDSION BAND LOCK	
6	90298845	1	SPLASH GUARD, 26" DECK	
7	00053750	5	WASHER	
8	00553690	5	HEXBOLT	
9	01071860	3	RING	
10	00155180	2	ADJUSTING WASHER	
11	00959680	2	SHAFT	
12	00512400	2	CARRIER	
13	00054310	2	RETAINING RING	
14	01071870	1	SHAFT	
15	00022230	1	RETAINING RING	
16	00053730	6	WASHER	
17	00053770	2	WASHER	
18	00101160	2	HEXAGON SCREW	
19	00967760	1	CABLE TIE LARGE	
22	00861700	2	SPRAY TUBE	
23	00180190	1	HOSE, STRETCH 13"	.390 METERS
24	00501840	1	T-PICE	
25	00821550	2	TUBE CLAMP	
26	00539730	6	SCREW	
27	7513	2	BRUSH	Degree of soiling light to medium
28	7515	2	BRUSH	Degree of soiling medium to heavy
29	7517	2	BRUSH	"Degree of soiling light to medium, structured flooring
30	7519	2	BRUSH	Very heavy soiling and basic cleaning
31	7521	2	BRUSH	Extremely heavy soiling and basic cleaning
32	7307.02	2	"Option : 6000 ,5mm (Available No 99730702 )"	Degree of soiling medium to heavy, structured flooring
33	7523	1	PADHOLDER	incl. pos.34-37
34	00681500	1	CENTERLOCK, LOWER PART	
35	00961490	3	SELF-TAPPING SCREW	
37	00681490	1	CENTERLOCK, UPPER PART	

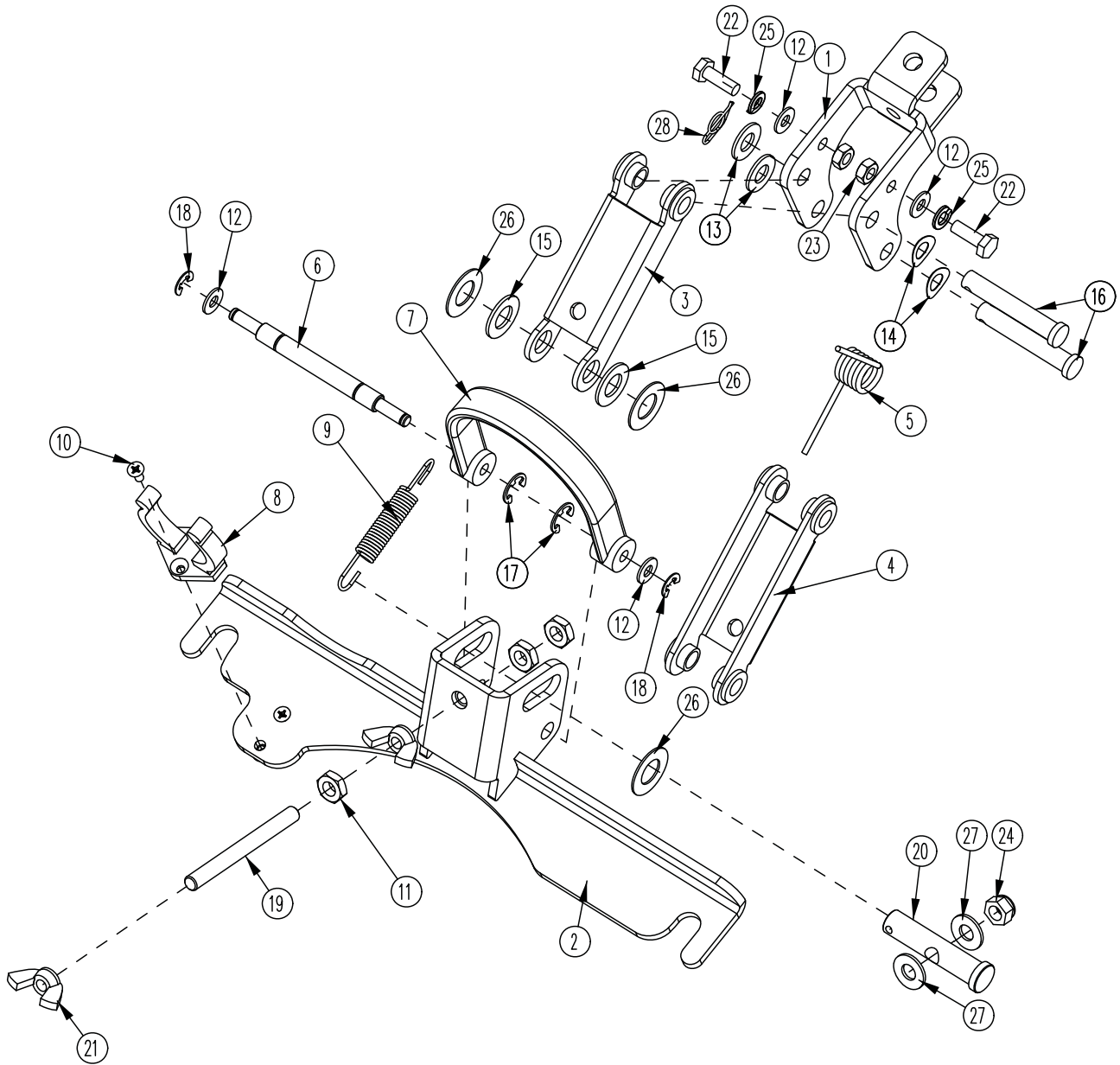


BILL OF MATERIAL - 172141			
ITEM	PART NO.	QTY	DESCRIPTION
1	172140	1	BKT, VAC SWITCH MOUNT
2	172337	1	COVER, VAC SWITCH
3	710493	2	SCR-MC 4-40 X .75 PAN HD
4	711428	2	NUT-HEX 4-40
5	712326	2	WSR-INT LOCK #4
6	747603-2	1	SWITCH ASY, MICRO ROLLER W/PACK/CONDUIT





BILL OF MATERIAL - 172538			
ITEM	PART NO.	QTY	DESCRIPTION
1	172274	1	EDGE TRIM , 10" BLACK
2	172429	2	SPRING, COMPRESSION
3	172448	1	TENSION BAND ASM - LEFT FRONT , 38" w/LATCH
4	172450	1	BUMPER, 38" SQG
5	172539	1	38" SQUEEGEE BASE ASM -E2426
6	430322	2	BUSHING .435 X .625 X .50
7	711527	2	WSR-FLAT .63 X 1.12 X .09
8	712591	2	NUT , ACORN 1/4-20 SS
9	712592	2	SCR-M C BHCS, 1/4-20 X 2.25, SS
10	712772	3	WSR-FLAT .344 x .75 x .06 SS
11	717030	2	BOLT -HH M 8X1.25 X 20 SS
12	840202	1	BUSHING-FLG .31 X .437 X .325 NYL
13	3400727	1	PIN-ROLL 1/8 X .50, ZINC
14	12310264	2	WSR-FLT M 8.4X16X1.6 SS
15	12515094	2	WSR-CONICAL SERRATED T OOT H, M 10.6
16	17133026	2	KNOB, M 10 STAR HANDLE
17	90493560	1	SQUEEGEE BLADE - FRONT , 950mm
18	90494139	1	SQUEEGEE BLADE - REAR, 950mm
19	90513094	2	FIXED CAST OR
20	90531112	10	WSR-FLT 8.3 X 22 X 1MM SS
21	90548397	2	ROLLER - 100MM PLASTIC BLACK
22	96125828	1	TENSION BAND - RIGHT FRONT
23	96125844	1	TENSION BAND - LEFT REAR
24	96125851	1	TENSION BAND - RIGHT REAR



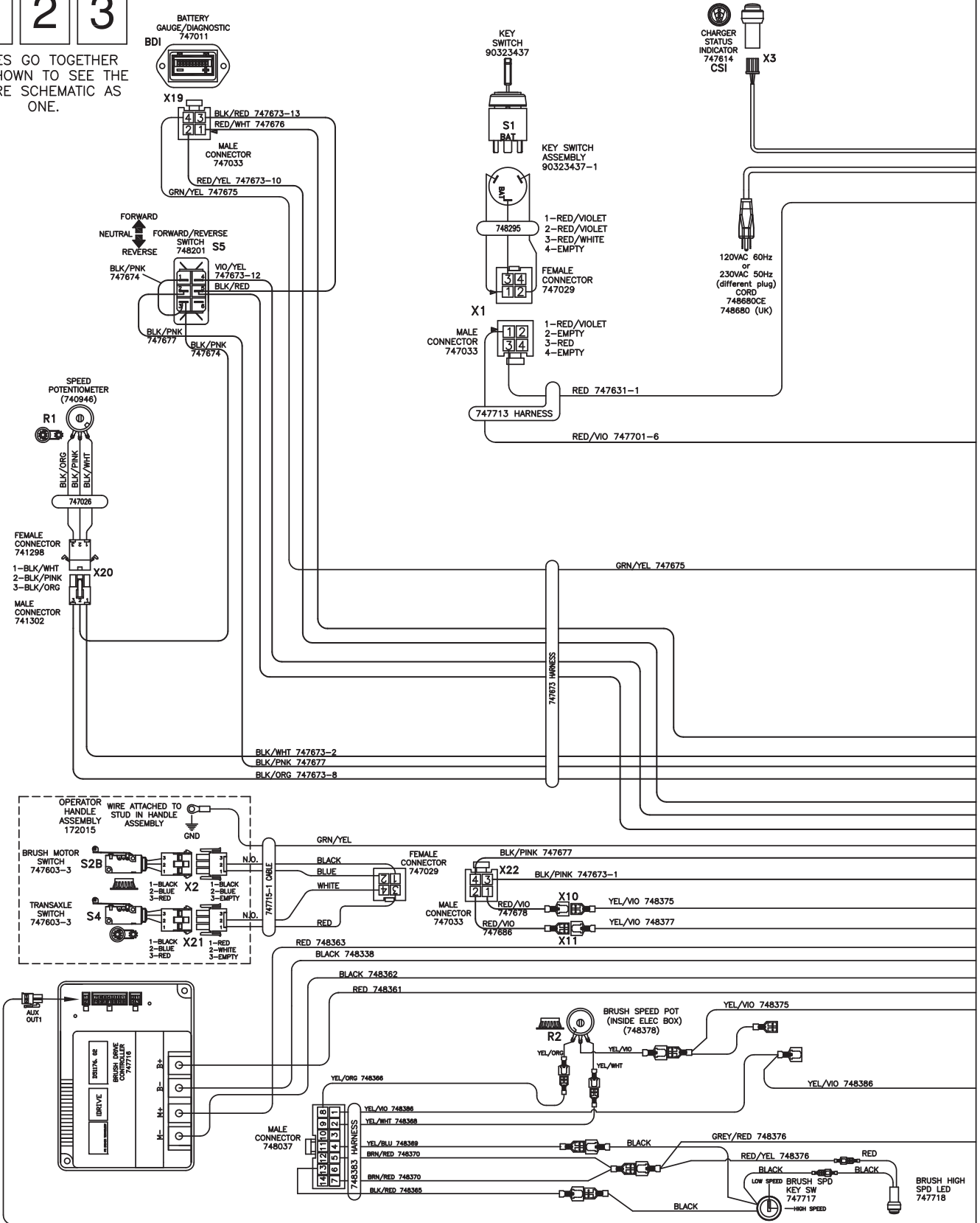
BILL OF MATERIAL - 172150			
ITEM	PART NO.	QTY	DESCRIPTION
1	172134	1	BKT , MAIN SQUEEGEE HINGE
2	172155	1	SQUEEGEE MOUNT WMT
3	172196	1	SQ TOP LIN K W/ BUSHING
4	172197	1	SQ BOT LINK W/ BUSHING
5	172261	1	TORSION SPRING
6	172352	1	PIN , 3 /8 X 3.0, SQ G STRAP
7	172357	1	STRAP, 9 " PU , BLACK
8	260579	1	TOOL CLIP, 1.5" HOSE
9	430051	1	RETURN SPRING -3 .00"
10	710528	2	SCR -MC 8-32 X .37 FH - BR
11	711420	3	NUT - HEX JAM 5 /16-18 ST PL
12	711504	4	WSR -F LAT 1/4 ID SS
13	711515	2	WSR -F LAT .406 X .812 X .0625
14	711523	2	WSR -WAVE .37 X .68 X .08
15	711592	2	WSR -F LAT .506 X .9 X .064 N YL
16	711678	2	CLEVIS PIN 3/8 X 2 -1/4
17	711717	2	RETAINING RING - E TYPE .37
18	711720	2	.250 DIA RETAINING RING - E TYPE
19	712147	1	ROD -THD 5/16 -18 X 3.25 SS
20	712148	1	CLEVIS PIN , 1/2 x 2.25 W/ HOLE
21	712157	2	NUT - WING 5 /16 -18 SS
22	712562	2	BOLT -HH 1 /4-20 X 3 /4 SS
23	712665	2	NUT -HEX 1 /4-20 SS
24	712683	1	NUT , HEX 5/16 -18 NYLOC SS
25	712758	2	WSR -HELICAL 1/4 SS
26	712760	3	WSR -FLAT .56X 1 .06 X.04 SS
27	712772	2	WSR -FLAT .344 x .75 x .06 SS
28	3400125	1	PIN -COTTER 3/8 RUE RING

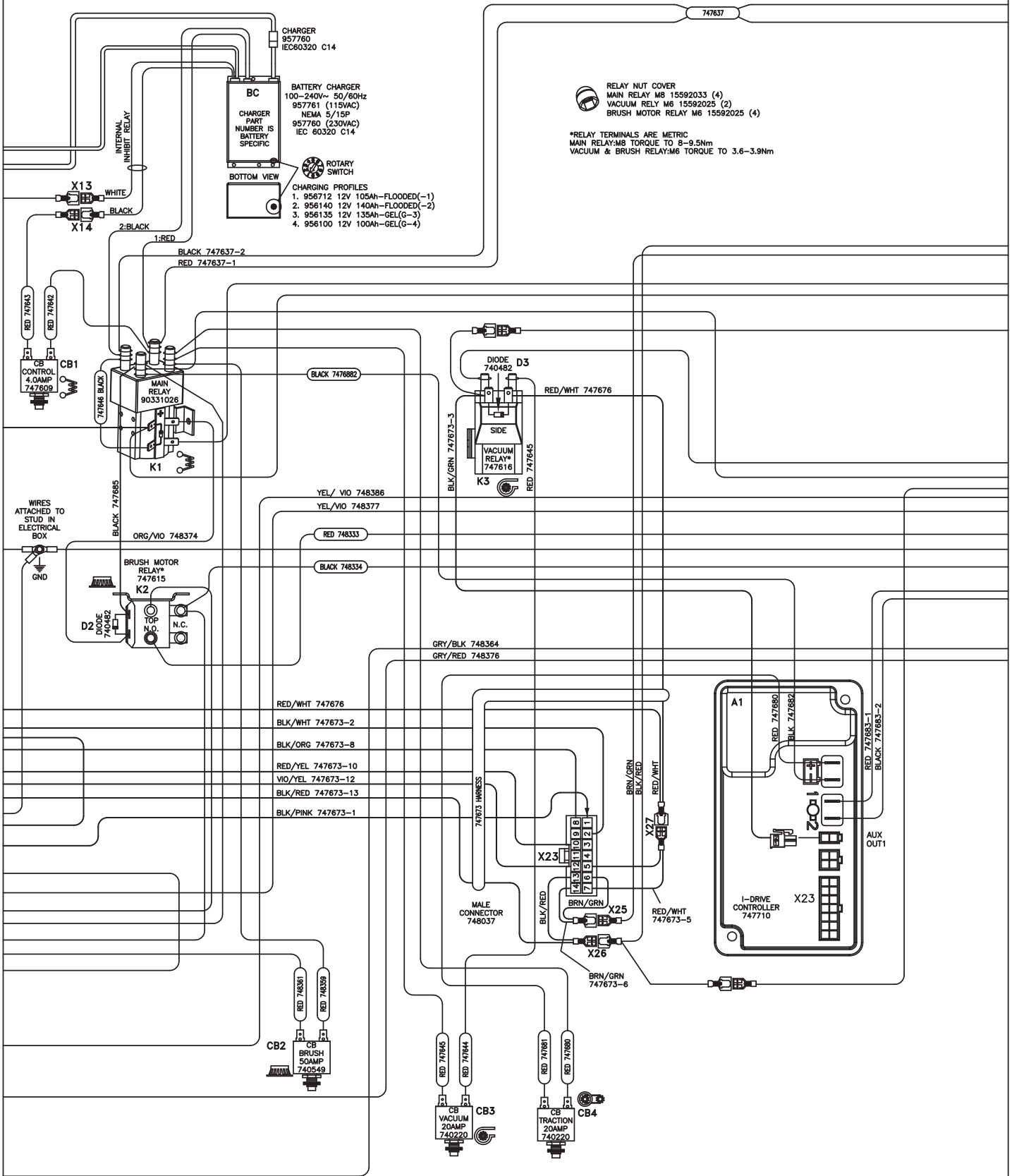
1

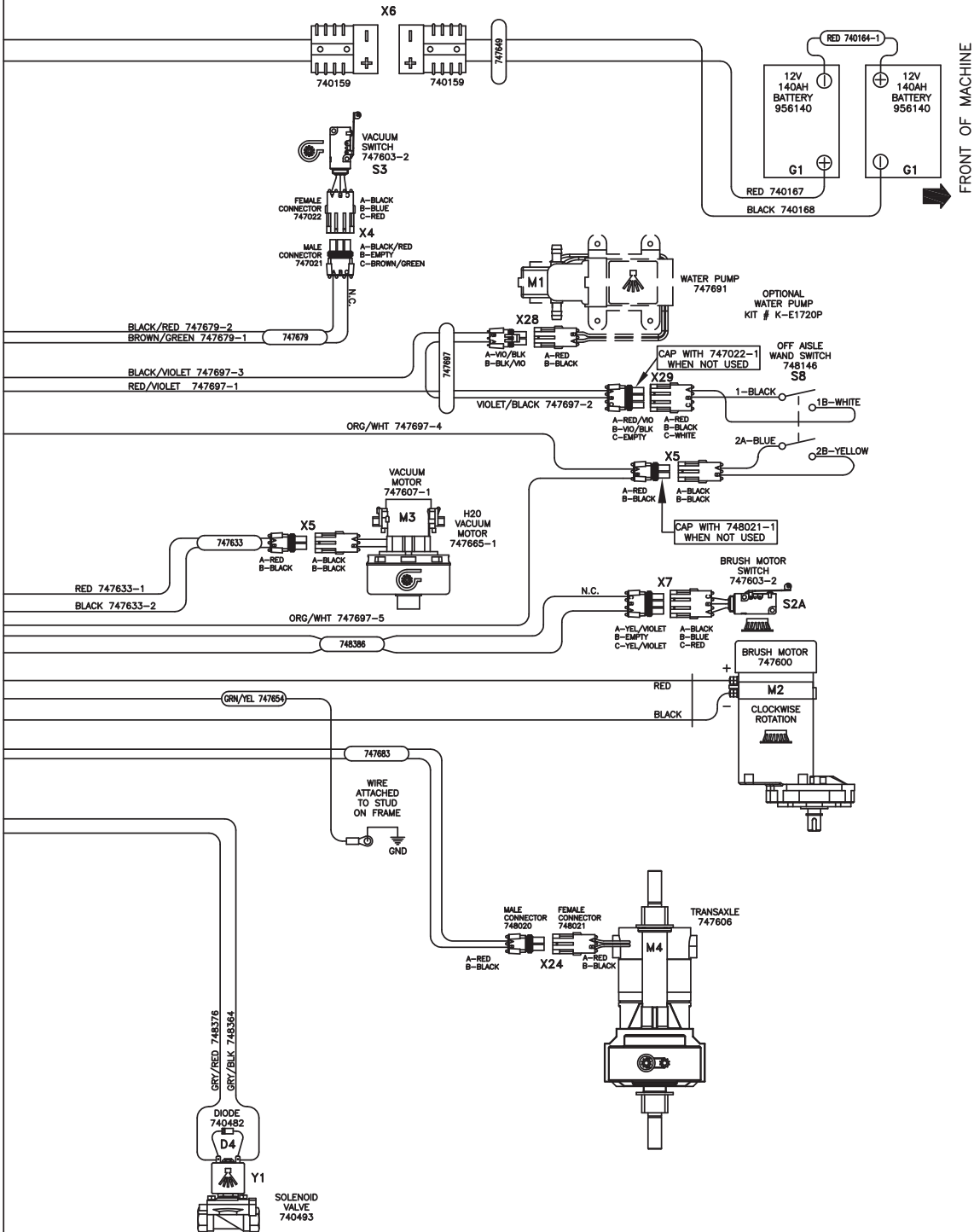
PAGE LAYOUT

1 2 3

PAGES GO TOGETHER AS SHOWN TO SEE THE ENTIRE SCHEMATIC AS ONE.









## Minuteman International Made Simple Commercial Limited Warranty

### REVISION O EFFECTIVE 4/1/2016

Minuteman International, Inc. warrants to the original purchaser/user that the product is free from defects in workmanship and materials under normal use. Minuteman will, at its option, repair or replace without charge, parts that fail under normal use and service when operated and maintained in accordance with the applicable operation and instruction manuals. All warranty claims must be submitted through and approved by factory authorized repair stations.

This warranty does not apply to normal wear, or to items whose life is dependent on their use and care, such as belts, cords, switches, hoses, rubber parts, electrical motor components or adjustments. Parts manufactured by Minuteman are covered by and subject to the warranties and/or guarantees of their manufacturers. Please contact Minuteman for procedures in warranty claims against these manufacturers.

**Special warning to purchaser** -- Use of replacement filters and/or pre-filters not manufactured by Minuteman or its designated licensees, will void all warranties expressed or implied. A potential health hazard exists without original equipment replacement.

All warranted items become the sole property of Minuteman or its original manufacturer, whichever the case may be.

Minuteman disclaims any implied warranty, including the warranty of merchantability and the warranty of fitness for a particular purpose. Minuteman assumes no responsibility for any special, incidental or consequential damages.

This limited warranty is applicable only in the U.S.A. and Canada, and is extended only to the original user/purchaser of this product. Customers outside the U.S.A. and Canada should contact their local distributor for export warranty policies. Minuteman is not responsible for costs or repairs performed by persons other than those specifically authorized by Minuteman. This warranty does not apply to damage from transportation, alterations by unauthorized persons, misuse or abuse of the equipment, use of non-compatible chemicals, or damage to property, or loss of income due to malfunctions of the product.

If a difficulty develops with this machine, you should contact the dealer from whom it was purchased.

This warranty gives you specific legal rights, and you may have other rights which vary from state to state. Some states do not allow the exclusion or limitation of special, incidental or consequential damages, or limitations on how long an implied warranty lasts, so the above exclusions and limitations may not apply to you.

<b>Model</b>	<b>Parts</b>	<b>Labor</b>	<b>Poly</b>	<b>Travel**</b>
Cord Electric Group	5yrs	3yrs	12yrs	90 days
Battery Operated Group	5yrs	3yrs	12yrs	90 days

**Exceptions.....**


<b>Model</b>	<b>Parts</b>	<b>Labor</b>	<b>Poly</b>	<b>Travel**</b>
Port A Scrub, all models	1yr	6months	12yrs	90 days
A3S Blower	1yr	1yr	0	0
Phenom Dual Motor Upright Vacuums	2yrs	2yrs	0	0
Explosion Proof Vacuum	1yr	1yr	0	0
Propane Burnisher	1yr	1yr	0	90 days
**Travel, 2 hours max				

<i>Stand-alone Battery Chargers:</i>	One year
<i>Replacement Parts:</i>	Ninety days
<i>Batteries:</i>	0-3 months full replacement, 4-12 months pro-rate
<i>Polypropylene Plastic Tanks:</i>	12yr warranty, no additional labor



# ***“Excellence Meets Clean”***

**Minuteman is a Full Line Manufacturer of Sweepers and Scrubbers,  
for Industrial Facilities.**



14N845 U.S. Route 20, Pingree Grove, IL 60140 USA  
Phone (800) 323-9420 - [www.minutemanintl.com](http://www.minutemanintl.com)  
*A Member of the Hako Group*